

# C P

## CLEAN-PAK

EFFENCY
9 = MERV 15
8 = MERV 14
6 = MERV 12
5 = MERV 11

SIZE CODE  
(SEE TABLE)

# OF POCKETS  
(SEE TABLE)

FILTER DEPTH

Clean-Pak Standard Header Size Table				
Size Code	Nominal Size (H x W)	Catalog Size	Actual Size (H x W)	# of Pockets
A	24 X 24	Yes	23-3/8 X 23-3/8	6-12
B	24 X 12	Yes	23-3/8 X 11-3/8	3-5
C	12 X 24	Yes	11-3/8 X 23-3/8	5-12
D	24 X 20	Yes	23-3/8 X 19-3/8	5-9
E	20 X 24	No	19-3/8 X 23-3/8	5-12
F	20 X 20	No	19-3/8 X 19-3/8	4-9
G	20 X 16	No	19-3/8 X 15-3/8	3-7
H	16 X 20	No	15-3/8 X 19-3/8	4-9
J	25 X 16	No	24-3/8 X 15-3/8	6-7
K	16 X 25	No	15-3/8 X 24-3/8	5-12
L	25 X 20	No	24-3/8 X 19-3/8	7-9
M	20 X 25	No	19-3/8 X 24-3/8	5-12

Minimum Pocket Depth: 10"  
Maximum Pocket Depth: 36"

### FACTORY OPTIONS

OPTIONAL FEATURES WILL BE INDICATED BY SUFFIXES FOLLOWING THE BASIC MODEL NUMBER:

BLANK = NO OPTIONS

### HEADER OPTIONS

C - 1 1/8" HEADER  
E - 1" HEADER

### RETAINER COVERS - I

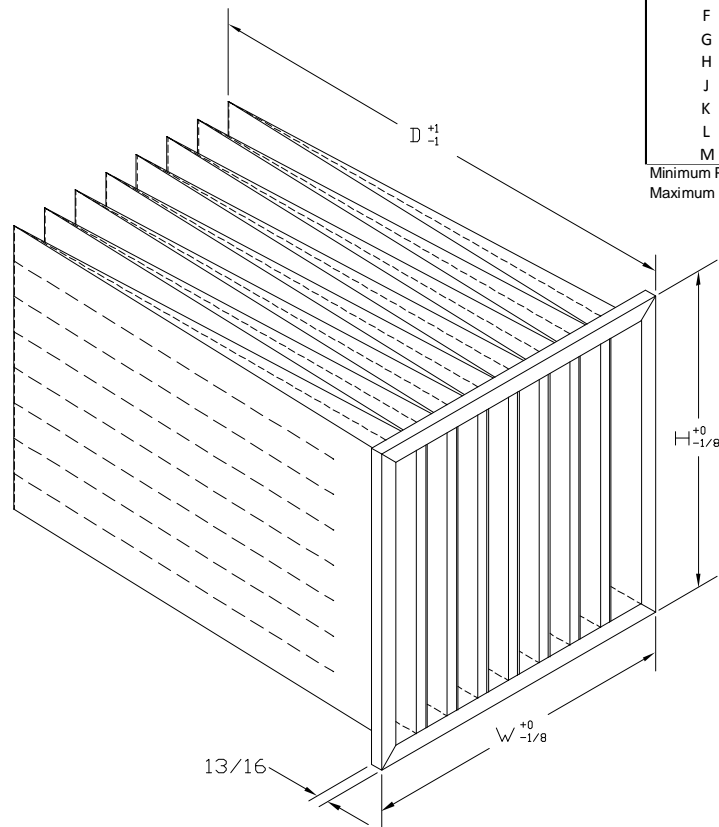
GASKET LOCATION (1/4" X 1/2" FOAM GASKET):

D - DOWNSTREAM / AIR LEAVING SIDE  
U - UPSTREAM / AIR ENTERING SIDE  
UD - BOTH SIDES  
SA - SIDE ACCESS / ONE VERTICAL SIDE  
P - PERIMETER OF HEADER

### EXTENDER RODS - DX

### LOOPS:

L - LOOP ON TOP OF EACH POCKET  
LTB - LOOP ON TOP AND BOTTOM OF EACH POCKET



### STANDARD CONSTRUCTION

1. High Efficiency, Meltblown Synthetic Media
2. Sonic Welded Pocket Construction
3. Polypropylene Fabric Ribbon Separators
4. Galvanized Steel Header
5. Galvanized Steel Pocket Retainers

### NOTES

1. Performance per ASHRAE 52.2-2012  
Tested at 492 FPM on 24x24x30 8 Pocket Filters
2. Initial Resistance  
MERV 15 CP9-A-8-30: 0.43" W.G. @ 1968 CFM  
MERV 14 CP8-A-8-30: 0.35" W.G. @ 1968 CFM  
MERV 12 CP6-A-8-30: 0.29" W.G. @ 1968 CFM  
MERV 11 CP5-A-8-30: 0.28" W.G. @ 1968 CFM
3. Recommended Final Resistance: 1.5" W.G.
4. Rated Velocity: 500 FPM
5. Classified Per U.L. Standard 900 for Flammability
6. Maximum Operating Temperature: 190 deg. F (88 deg C)



100 River Ridge Circle  
Jeffersonville, IN 47130  
P: 866-247-4827  
F: 866-601-1809  
www.airguard.com

CONTACT FACTORY TO  
VERIFY REVISION LEVEL

### TOLERANCES UNLESS OTHERWISE SPECIFIED

FRACTIONAL -  
DECIMAL -  
ANGLES -

ALL DIMENSIONS IN INCHES

DRAWING NAME

CLEAN-PAK

APPROVED BY

*K. Quinn*

SPECIFICATION NO.

MKT-B-0311

PAGE  
1 OF 1

SCALE

NONE

DWG. SIZE

A

REVISION

E

REVISION DATE

11-28-16

CONFIDENTIAL - DO NOT COPY. THIS MATERIAL IS TRADE SECRET AND PROPRIETARY BEING EXCLUSIVELY OWNED BY CLC AIR. THE EXPRESSION OF THE INFORMATION CONTAINED HEREIN IS PROTECTED UNDER FEDERAL COPYRIGHT LAWS AND ALL COPYING IS PROHIBITED AND MAY BE SUBJECT TO CRIMINAL PENALTIES.