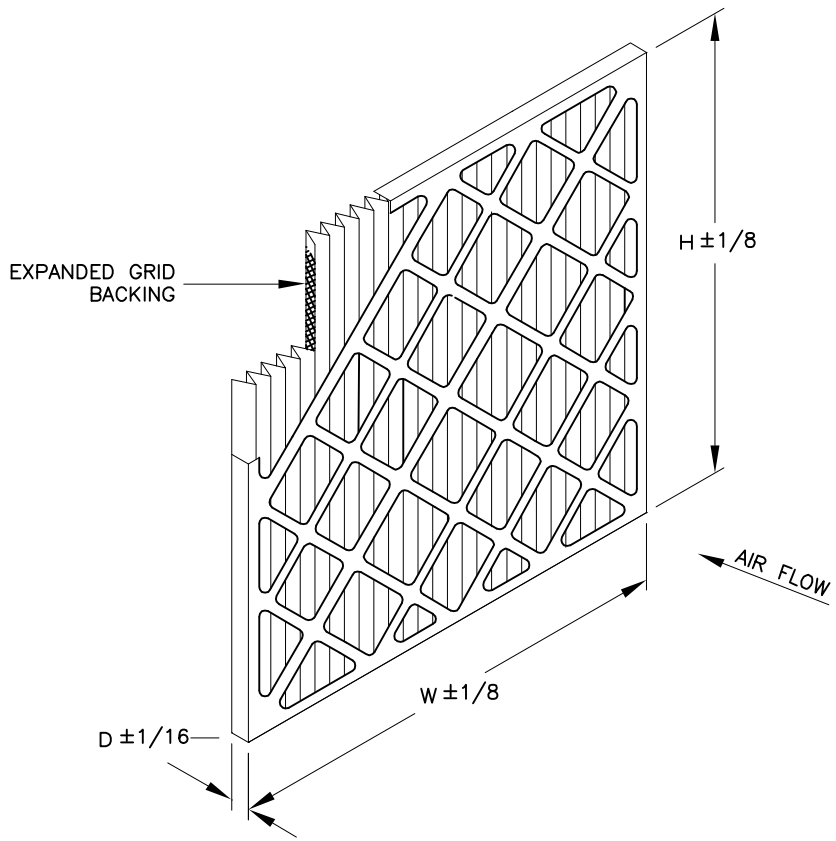


Model Number	Nominal Size (Inches) W x H x D	Actual Size (Inches) W x H x D	Rated Air Flow (CFM)	Initial Resistance (In. W.G.)	Media Area (Square Feet)
DP13-STD1-109	10 X 10 X 1	9-1/2 X 9-1/2 X 3/4	210	0.43	1.6
DP13-STD1-117	10 X 20 X 1	9-1/2 X 19-1/2 X 3/4	415	0.43	2.6
DP13-STD1-124	10 X 24 X 1	9-3/8 X 23-3/8 X 3/4	500	0.43	3.1
DP13-STD1-122	12 X 12 X 1	11-3/4 X 11-3/4 X 3/4	300	0.43	1.9
DP13-STD1-123	12 X 16 X 1	11-1/2 X 15-3/4 X 3/4	400	0.43	2.5
DP13-STD1-120	12 X 20 X 1	11-1/2 X 19-1/2 X 3/4	500	0.43	3.1
DP13-STD1-110	12 X 24 X 1	11-3/8 X 23-3/8 X 3/4	600	0.43	3.7
DP13-STD1-133	14 X 14 X 1	13-3/4 X 13-3/4 X 3/4	410	0.43	2.7
DP13-STD1-139	14 X 20 X 1	13-1/2 X 19-1/2 X 3/4	585	0.43	3.8
DP13-STD1-159	14 X 24 X 1	13-3/8 X 23-3/8 X 3/4	700	0.43	4.6
DP13-STD1-141	14 X 25 X 1	13-1/2 X 24-1/2 X 3/4	730	0.43	4.8
DP13-STD1-137	14 X 30 X 1*	14-3/4 X 29-3/4 X 3/4	875	0.43	5.7
DP13-STD1-145	15 X 20 X 1	15-1/2 X 19-1/2 X 3/4	625	0.43	4.0
DP13-STD1-140	15 X 30 X 1*	15-3/4 X 29-3/4 X 3/4	935	0.43	6.1
DP13-STD1-143	16 X 16 X 1	15-1/2 X 15-1/2 X 3/4	530	0.43	4.0
DP13-STD1-101	16 X 20 X 1	15-1/2 X 19-1/2 X 3/4	665	0.43	4.3
DP13-STD1-116	16 X 24 X 1	15-3/8 X 23-3/8 X 3/4	800	0.43	5.1
DP13STD1-102	16 X 25 X 1	15-1/2 X 24-1/2 X 3/4	835	0.43	5.3
DP13-STD1-146	16 X 30 X 1*	15-3/4 X 29-3/4 X 3/4	1000	0.43	6.5
DP13-STD1-163	18 X 18 X 1	17-3/4 X 17-3/4 X 3/4	675	0.43	4.3
DP13-STD1-180	18 X 20 X 1	17-3/8 X 19-1/2 X 3/4	750	0.43	4.8
DP13-STD1-182	18 X 22 X 1	17-3/8 X 21-1/2 X 3/4	825	0.43	5.7
DP13-STD1-112	18 X 24 X 1	17-3/8 X 23-3/8 X 3/4	900	0.43	5.7
DP13-STD1-185	18 X 25 X 1	17-1/2 X 24-1/2 X 3/4	935	0.43	6.0
DP13-STD1-103	20 X 20 X 1	19-1/2 X 19-1/2 X 3/4	830	0.43	5.5
DP13-STD1-166	20 X 22 X 1	19-3/4 X 21-3/4 X 3/4	915	0.43	6.6
DP13-STD1-111	20 X 24 X 1	19-3/8 X 23-3/8 X 3/4	1000	0.43	6.6
DP13-STD1-104	20 X 25 X 1	19-1/2 X 24-1/2 X 3/4	1040	0.43	6.9
DP13-STD1-132	20 X 30 X 1*	19-1/2 X 29-1/2 X 3/4	1250	0.43	7.1
DP13-STD1-151	22 X 22 X 1	21-3/4 X 21-3/4 X 3/4	1005	0.43	8.1
DP13-STD1-105	24 X 24 X 1	23-3/8 X 23-3/8 X 3/4	1200	0.43	7.7
DP13-STD1-153	24 X 30 X 1*	23-3/4 X 19-3/4 X 3/4	1500	0.43	9.7
DP13-STD1-125	25 X 25 X 1	24-1/2 X 24-1/2 X 3/4	1300	0.43	8.7

* Reverse pleat direction

- STANDARD CONSTRUCTION**
- 100% Synthetic White Un-Dyed Media
 - 14.0 Pleats Per Foot
 - Expanded Metal Pleat Supports
 - Moisture Resistant Beverage Board Frame
 - Double Wall Frame

- NOTES**
- MERV 13 Per ASHRAE 52.2-2012
Tested at 295 FPM on 24x24x1 filter size
 - Final Resistance: 1.0" W.G.
 - Rated Velocity: 300 FPM
 - Classified Per UL Standard 900 for Flammability
 - Maximum Operating Temperature: 225 deg. F



AIRGUARD
 100 River Ridge Circle
 Jeffersonville, IN 47130
 P: 866-247-4827
 F: 866-801-1809
 www.clcair.com/airguard

CONTACT FACTORY TO
 VERIFY REVISION LEVEL

**TOLERANCES
 UNLESS OTHERWISE SPECIFIED**

FRACTIONAL	-
DECIMAL	-
ANGLES	-

ALL DIMENSIONS IN INCHES

DRAWING NAME: **DP-G13EEN (1" DEPTH)**

APPROVED BY: *K. Quinn* SPECIFICATION NO. **MKT-B-00575** PAGE **1 OF 1**

SCALE: **NONE** DWG. SIZE: **A** REVISION: **A** REVISION DATE: **08-19-15**

CONFIDENTIAL - DO NOT COPY. THIS MATERIAL IS TRADE SECRET AND PROPRIETARY BEING EXCLUSIVELY OWNED BY CLCAIR. THE EXPRESSION OF THE INFORMATION CONTAINED HEREIN IS PROTECTED UNDER FEDERAL COPYRIGHT LAWS AND ALL COPYING IS PROHIBITED AND MAY BE SUBJECT TO CRIMINAL PENALTIES.