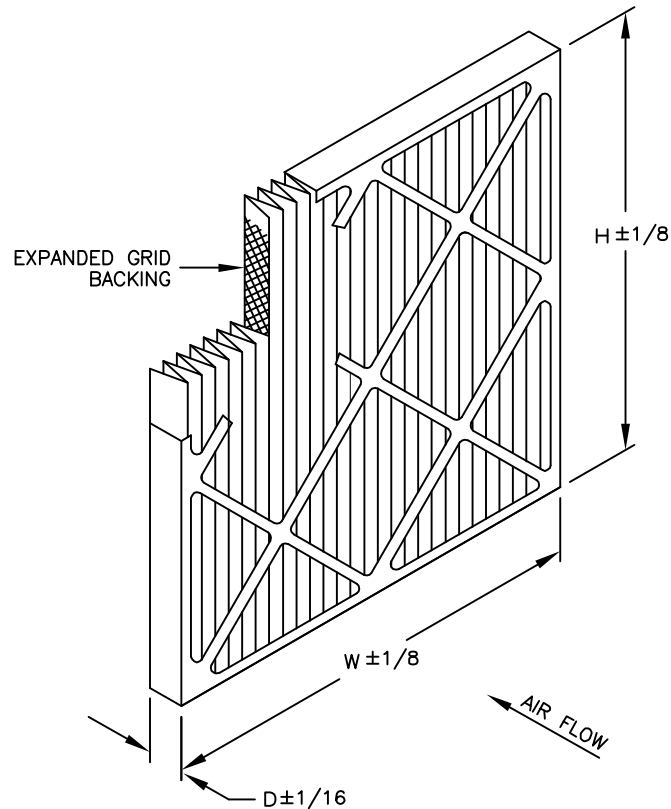


SPECIAL SIZE DESCRIPTION (Example)

DP13 SP1-SNG 12.5X12.5X1



FILTER SIZE (EXACT W x H x L)

Number of Panels

SNG = Single (1 Panel)

DBL = Double (2 Panels)

TRP = Triple (3 Panels)

FILTER DEPTH

SP1 = 1" Nominal (3/4" Actual, 14 Pleats Per Foot)

SP2 = 2" Nominal (1-3/4" Actual, 15 Pleats Per Foot)

SP4 = 4" Nominal (3-3/4" Actual, 11 Pleats Per Foot)

FILTER MODEL: DP13

STANDARD CONSTRUCTION

- 100% Synthetic un-dyed white media
- Expanded Metal Pleat Supports
- Moisture Resistant Beverage Board Frame
- Double and Triple Filters Assembled From Individual Panels Taped Together

NOTES

- MERV 13 ASHRAE 52.2-2012
- Final Resistance: 1.0" W.G.
- Rated Velocity
1" Depth 300 FPM
2" & 4" Depth 500 FPM
- Classified Per UL Standard 900 for Flammability
- Maximum Operating Temperature: 200 deg. F
- All Special Sizes are Exact
- Filters Built to Nearest 1/8"

THE MAXIMUM SIZE OF A SINGLE FILTER IS 30" WIDE X 24.375" HIGH. ANY FILTER EXCEEDING EITHER OF THESE DIMENSIONS WILL BE MADE AS AN OVERSIZE FILTER PER THE FOLLOWING CHART.

HEIGHT		WIDTH		
	5" - 30"		GREATER THAN 30" UP TO 60"	GREATER THAN 60" UP TO 90"
	6" - 24.375"	SINGLE	DOUBLE	TRIPLE
		WIDTH		
	5" - 28"			
	GREATER THAN 24.375" UP TO 30"	DOUBLE		



100 River Ridge Circle
Jeffersonville, IN 47130
P: 866-247-4827
F: 866-801-1809
www.clcair.com/airguard

CONTACT FACTORY TO
VERIFY REVISION LEVEL

TOLERANCES UNLESS OTHERWISE SPECIFIED

FRACTIONAL -
DECIMAL -
ANGLES -

ALL DIMENSIONS IN INCHES

DRAWING NAME

DP-G13EEN SPECIAL SIZE

APPROVED BY

K. Quinn

SPECIFICATION NO.

MKT-B-00565

PAGE

1 OF 1

SCALE

NONE

DWG. SIZE

A

REVISION

A

REVISION DATE

08-24-15

CONFIDENTIAL - DO NOT COPY. THIS MATERIAL IS TRADE SECRET AND PROPRIETARY BEING EXCLUSIVELY OWNED BY CLCAIR. THE EXPRESSION OF THE INFORMATION CONTAINED HEREIN IS PROTECTED UNDER FEDERAL COPYRIGHT LAWS AND ALL COPYING IS PROHIBITED AND MAY BE SUBJECT TO CRIMINAL PENALTIES.