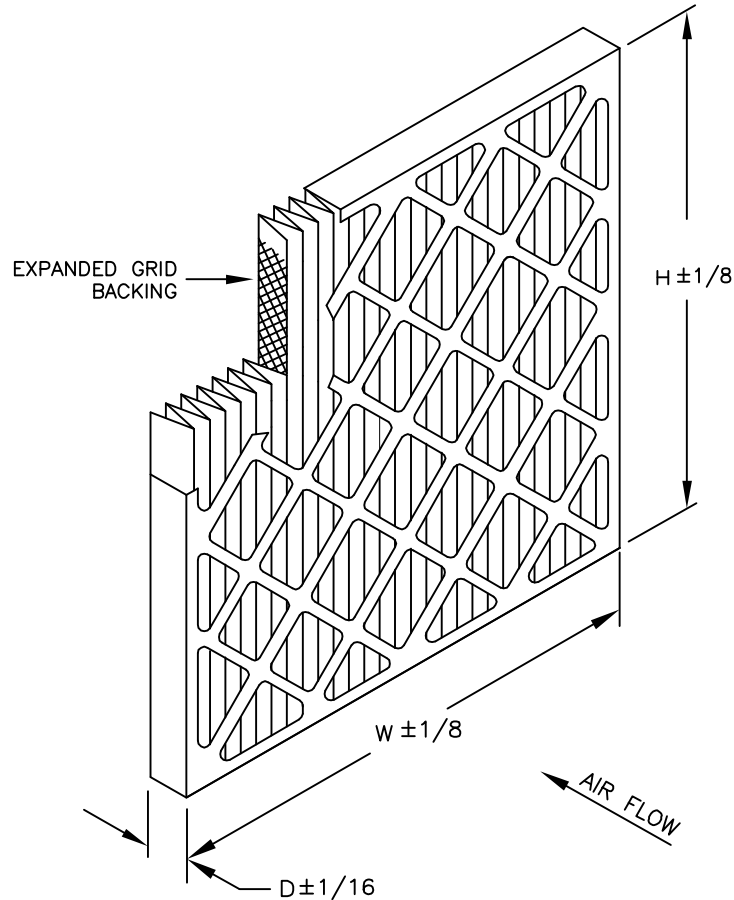


Model Number	Nominal Size (Inches) W x H x D	Actual Size (Inches) W x H x D	Rated Air Flow (CFM)	Initial Resistance (In. W.G.)	Media Area (Square Feet)
DPHD-STD2-210	12 X 24 X 2	11-3/8 X 23-3/8 X 1-3/4	1000	0.28	8.6
DPHD-STD2-201	16 X 20 X 2	15-1/2 X 19-1/2 X 1-3/4	1120	0.28	9.8
DPHD-STD2-216	16 X 24 X 2	15-3/8 X 23-3/8 X 1-3/4	1340	0.28	11.7
DPHD-STD2-202	16 X 25 X 2	15-1/2 X 24-1/2 X 1-3/4	1400	0.28	11.7
DPHD-STD2-203	20 X 20 X 2	19-1/2 X 19-1/2 X 1-3/4	1400	0.28	12.4
DPHD-STD2-211	20 X 24 X 2	19-3/8 X 23-3/8 X 1-3/4	1670	0.28	14.8
DPHD-STD2-204	20 X 25 X 2	19-1/2 X 24-1/2 X 1-3/4	1750	0.28	15.5
DPHD-STD2-232	20 X 30 X 2*	19-1/2 X 29-1/2 X 1-3/4	2085	0.28	18.6
DPHD-STD2-205	24 X 24 X 2	23-3/8 X 23-3/8 X 1-3/4	2000	0.28	17.9

* Reverse Pleat Direction



STANDARD CONSTRUCTION

- 100% Heavy Duty Polyester Media
- 15.0 Pleats Per Foot
- Heavy Duty Expanded Metal Wire Backing
0.042 lb/sf, 0.042" wire thickness
- 27 Point Moisture Resistant Beverage Board Frame
- Double Wall Frame

NOTES

- MERV 9 Per ASHRAE 52.2-2012
MERV-A 9-A Per ASHRAE 52.2-2012 Appendix J
Tested at 492 FPM on 24x24x2 filter size
- Final Resistance: 1.0" W.G.
- Rated Velocity: 500 FPM
- Classified Per UL Standard 900 for Flammability
- Maximum Operating Temperature: 225 deg. F



100 River Ridge Circle
Jeffersonville, IN 47130
P: 866-247-4827
F: 866-801-1809
www.clcair.com/airguard

CONTACT FACTORY TO
VERIFY REVISION LEVEL

TOLERANCES
UNLESS OTHERWISE SPECIFIED

FRACTIONAL -
DECIMAL -
ANGLES -

ALL DIMENSIONS IN INCHES

DRAWING NAME

DP HD PLEAT (2" DEPTH)

APPROVED BY

K. Quinn

SPECIFICATION NO.

MKT-B-00702

PAGE 1 OF 1

SCALE

NONE

DWG. SIZE

A

REVISION

NEW

REVISION DATE

03-23-17

CONFIDENTIAL - DO NOT COPY. THIS MATERIAL IS TRADE SECRET AND PROPRIETARY BEING EXCLUSIVELY OWNED BY CLCAIR. THE EXPRESSION OF THE INFORMATION CONTAINED HEREIN IS PROTECTED UNDER FEDERAL COPYRIGHT LAWS AND ALL COPYING IS PROHIBITED AND MAY BE SUBJECT TO CRIMINAL PENALTIES.