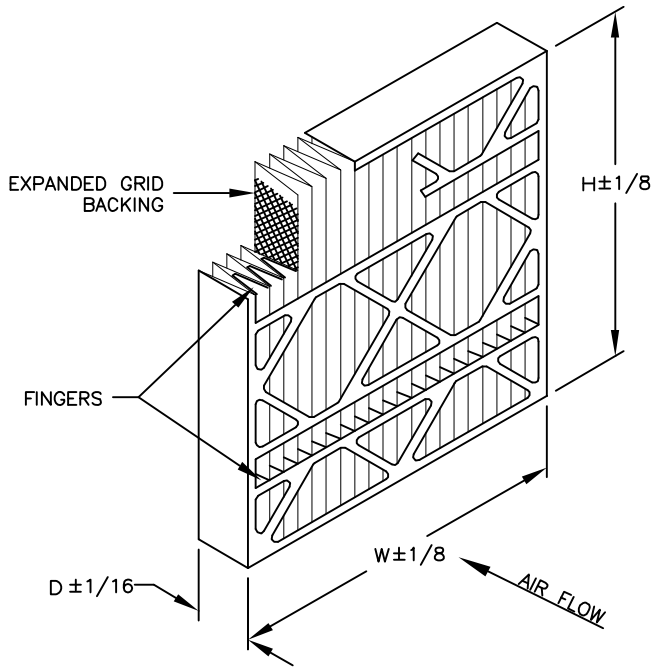


Model Number	Nominal Size (Inches) W x H x D	Actual Size (Inches) W x H x D	Rated Air Flow (CFM)	Initial Resistance (In. W.G.)	Media Area (Square Feet)
MX40-STD4-410	12 X 24 X 4	11-3/8 X 23-3/8 X 3-3/4	1000	0.19	11.2
MX40-STD4-401	16 X 20 X 4	15-1/2 X 19-1/2 X 3-3/4	1120	0.19	12.5
MX40-STD4-402	16 X 25 X 4	15-1/2 X 24-1/2 X 3-3/4	1400	0.19	15.6
MX40-STD4-412	18 X 24 X 4	17-3/8 X 23-3/8 X 3-3/4	1500	0.19	16.2
MX40-STD4-403	20 X 20 X 4	19-1/2 X 19-1/2 X 3-3/4	1400	0.19	15.6
MX40-STD4-411	20 X 24 X 4	19-3/8 X 23-3/8 X 3-3/4	1670	0.19	18.7
MX40-STD4-404	20 X 25 X 4	19-1/2 X 24-1/2 X 3-3/4	1750	0.19	19.6
MX40-STD4-405	24 X 24 X 4	23-3/8 X 23-3/8 X 3-3/4	2000	0.19	22.4




STANDARD CONSTRUCTION

- 100% Synthetic Thermally Bonded White Media
- 9 Pleats Per Foot
- Expanded Metal Pleat Supports
- Moisture Resistant Beverage Board Frame
- Double Wall Frame
- (2) Rows of Fingers on Air Entering Side

NOTES

- MERV 8 per ASHRAE 52.2-2012
MERV 8-A Per ASHRAE 52.2-2012 Appendix J
Tested at 492 FPM on 24x24x4 Filter Size
- Final Resistance: 1.0" W.G.
- Rated Velocity: 500 FPM
- Classified per UL Standard 900 for Flammability
- Maximum Operating Temperature: 225 deg. F

 <p>100 River Ridge Circle Jeffersonville, IN 47130 P: 866-247-4827 F: 866-601-1809 www.clcair.com/airguard</p>	<p>TOLERANCES UNLESS OTHERWISE SPECIFIED</p> <p>FRACTIONAL - DECIMAL - ANGLES -</p>	DRAWING NAME DP MAX PLEAT (4" DEPTH)			
		APPROVED BY <i>K. Quinn</i>	SPECIFICATION NO. MKT-B-00550	PAGE 1 OF 1	
<p>CONTACT FACTORY TO VERIFY REVISION LEVEL</p>		SCALE NONE	DWG. SIZE A	REVISION G	REVISION DATE 03-23-16
		<p><small>CONFIDENTIAL - DO NOT COPY. THIS MATERIAL IS TRADE SECRET AND PROPRIETARY BEING EXCLUSIVELY OWNED BY CLC AIR. THE EXPRESSION OF THE INFORMATION CONTAINED HEREIN IS PROTECTED UNDER FEDERAL COPYRIGHT LAWS AND ALL COPYING IS PROHIBITED AND MAY BE SUBJECT TO CRIMINAL PENALTIES.</small></p>			
		<p>ALL DIMENSIONS IN INCHES</p>			