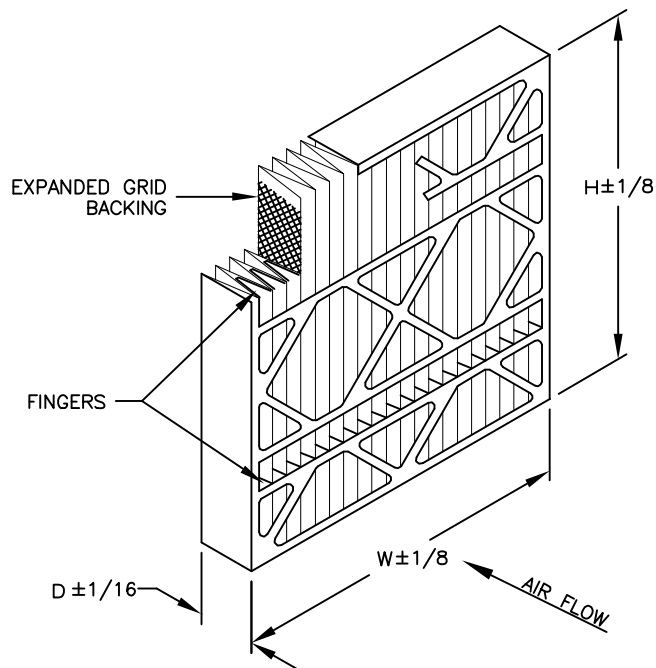


Model Number	Nominal Size (Inches) W x H x D	Actual Size (Inches) W x H x D	Rated Air Flow (CFM)	Initial Resistance (In. W.G.)	Media Area (Square Feet)
MX40-STD6-610	12 X 24 X 6	11-3/8 X 23-3/8 X 5-7/8	1000	0.18	16.9
MX40-STD6-601	16 X 20 X 6	15-1/2 X 19-1/2 X 5-7/8	1120	0.18	18.9
MX40-STD6-602	16 X 25 X 6	15-1/2 X 24-1/2 X 5-7/8	1400	0.18	23.6
MX40-STD6-612	18 X 24 X 6	17-3/8 X 23-3/8 X 5-7/8	1500	0.18	26.3
MX40-STD6-603	20 X 20 X 6	19-1/2 X 19-1/2 X 5-7/8	1400	0.18	23.7
MX40-STD6-611	20 X 24 X 6	19-3/8 X 23-3/8 X 5-7/8	1670	0.18	28.2
MX40-STD6-604	20 X 25 X 6	19-1/2 X 24-1/2 X 5-7/8	1750	0.18	29.5
MX40-STD6-605	24 X 24 X 6	23-3/8 X 23-3/8 X 5-7/8	2000	0.18	33.8



#### STANDARD CONSTRUCTION

- 100% Synthetic Thermally Bonded White Media
- 9 Pleats Per Foot
- Expanded Metal Pleat Supports
- Moisture Resistant Beverage Board Frame
- Double Wall Frame
- (2) Rows of Fingers on Air Entering Side

#### NOTES

- MERV 8 per ASHRAE 52.2-2012  
MERV 8-A per ASHRAE 52.2-2012 Appendix J  
Tested at 492 FPM on 24x24x6 filter size
- Final Resistance: 1.0" W.G.
- Rated Velocity: 500 FPM
- Classified per UL Standard 900 for Flammability
- Maximum Operating Temperature: 225 deg. F



100 River Ridge Circle  
Jeffersonville, IN 47130  
P: 866-247-4827  
F: 866-801-1809  
www.clcair.com/airguard

CONTACT FACTORY TO  
VERIFY REVISION LEVEL

#### TOLERANCES UNLESS OTHERWISE SPECIFIED

FRACTIONAL -  
DECIMAL -  
ANGLES -

ALL DIMENSIONS IN INCHES

DRAWING NAME <b>DP MAX PLEAT (6" DEPTH)</b>			
APPROVED BY <i>K. Quinn</i>	SPECIFICATION NO. <b>MKT-B-00541</b>	PAGE <b>1 OF 1</b>	
SCALE <b>NONE</b>	DWG. SIZE <b>A</b>	REVISION <b>E</b>	REVISION DATE <b>04-01-16</b>
<small>CONFIDENTIAL - DO NOT COPY. THIS MATERIAL IS TRADE SECRET AND PROPRIETARY BEING EXCLUSIVELY OWNED BY CLCAIR. THE EXPRESSION OF THE INFORMATION CONTAINED HEREIN IS PROTECTED UNDER FEDERAL COPYRIGHT LAWS AND ALL COPYING IS PROHIBITED AND MAY BE SUBJECT TO CRIMINAL PENALTIES.</small>			