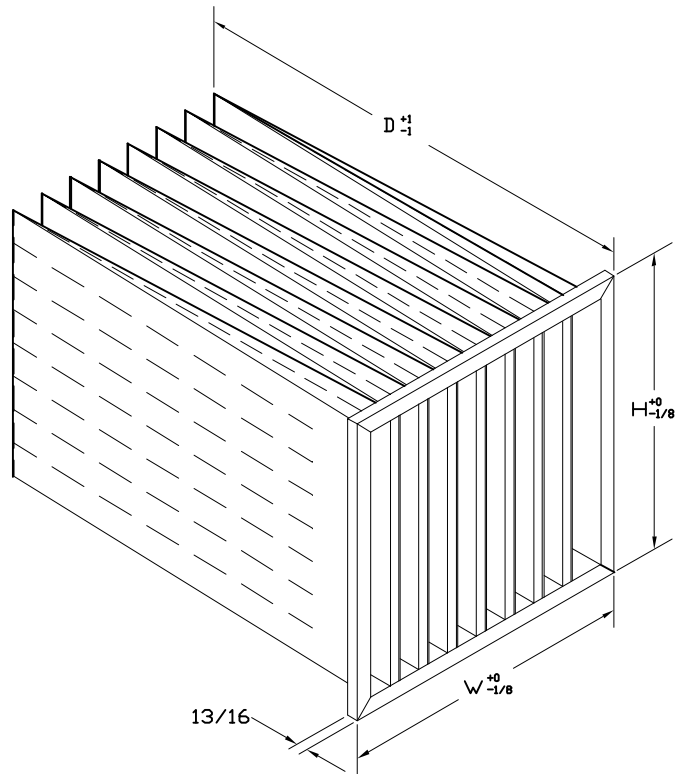


STANDARD HEADER MODEL: D9508 24X24X30 A
 CUSTOM SIZE MODEL: D9508 23.5X23.5X30 SP



STANDARD CONSTRUCTION

1. Blue Tint, 100% Synthetic Media
2. Double Lock Perimeter Sewn Pockets
3. Sealed Multi-Row Span Stitching
4. 13/16" Galvanized Steel Header
5. Galvanized Steel Pocket Retainers

Nominal Size (H x W x D)	# of Pockets	Media Area (Square Feet)	Rated Face Velocity (FPM)	Rated Air Flow (CFM)	D95 - MERV 15	D85 - MERV 14
24 x 24 x 30	8	88	500	2000	0.41	0.40
24 x 24 x 26	8	76	500	2000	0.38	0.37
24 x 24 x 26	6	59	500	2000	0.41	0.41
24 x 24 x 22	8	64	500	2000	0.40	0.39
24 x 24 x 22	6	50	500	2000	0.42	0.41
24 x 12 x 22	4	32	500	1000	0.40	0.39
24 x 12 x 22	3	25	500	1000	0.42	0.41
24 x 24 x 18	8	53	500	2000	0.42	0.41
24 x 24 x 18	6	41	500	2000	0.44	0.43
24 x 12 x 18	4	26	500	1000	0.42	0.41
24 x 12 x 18	3	20	500	750	0.44	0.43
24 x 24 x 15	8	44	500	2000	0.45	0.44
24 x 24 x 15	6	34	500	2000	0.50	0.49
24 x 24 x 12	8	35	500	2000	0.50	0.49

Size Code	Nominal Size (H x W)	Catalog Size	Actual Size (H X W)	# of Pockets
A	24 X 24	Yes	23-3/8 X 23-3/8	6 - 12
B	24 X 12	Yes	23-3/8 X 11-3/8	3 - 5
C	12 X 24	Yes	11-3/8 X 23-3/8	5 - 12
D	24 X 20	Yes	23-3/8 X 19-3/8	5 - 9
E	20 X 24	No	19-3/8 X 23-3/8	5 - 12
F	20 X 20	No	19-3/8 X 19-3/8	4 - 9
G	20 X 16	No	19-3/8 X 15-3/8	3 - 7
H	16 X 20	No	15-3/8 X 19-3/8	4 - 9
J	25 X 16	No	24-3/8 X 15-3/8	6 - 7
K	16 X 25	No	15-3/8 X 24-3/8	5 - 12
L	25 X 20	No	24-3/8 X 19-3/8	7 - 9
M	20 X 25	No	19-3/8 X 24-3/8	5 - 12
SP	Custom Size	No	Per Request	Per Request

Minimum Pocket Depth: 10"
 Maximum Pocket Depth: 36"

NOTES

1. Efficiency per ASHRAE Standard 52.2-2012
 Test Filter 24x24x26 8 Pocket at 492 FPM Face Velocity
2. Final Resistance: 1.5" W.G.
3. Rated Velocity: 500 FPM
4. Maximum Operating Temperature: 200 deg. F
5. Classified per UL Standard 900 for Flammability
6. Custom Sizes Available. Replace nominal size with actual filter size and include "SP" size code.

<p>100 River Ridge Circle Jeffersonville, IN 47130 P: 866-247-4827 F: 866-601-1809 www.clc.air.com</p>	<p>TOLERANCES UNLESS OTHERWISE SPECIFIED</p> <p>FRACTIONAL - DECIMAL - ANGLES -</p>	DRAWING NAME DEFIANT BAG			
		APPROVED BY <i>K. Quinn</i>	SPECIFICATION NO. MKT-P-00315	PAGE 1 OF 1	
CONTACT FACTORY TO VERIFY REVISION LEVEL		SCALE NONE	DWG. SIZE A	REVISION E	REVISION DATE 02-21-17
		<small>CONFIDENTIAL - DO NOT COPY. THIS MATERIAL IS TRADE SECRET AND PROPRIETARY BEING EXCLUSIVELY OWNED BY CLARCOR. THE EXPRESSION OF THE INFORMATION CONTAINED HEREIN IS PROTECTED UNDER FEDERAL COPYRIGHT LAWS AND ALL COPYING IS PROHIBITED AND MAY BE SUBJECT TO CRIMINAL PENALTIES.</small>			

ALL DIMENSIONS IN INCHES