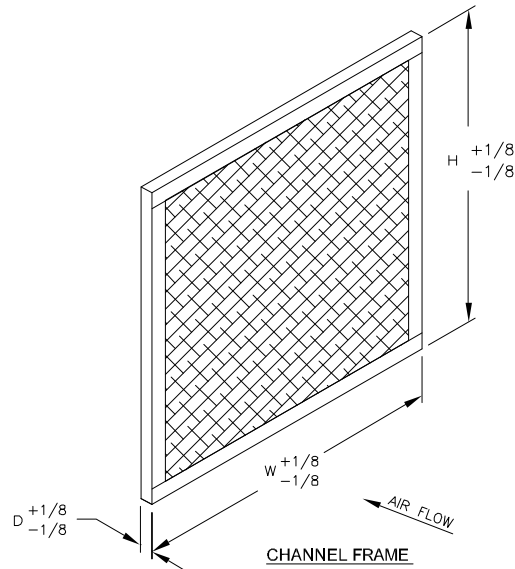


PINCH FRAME



CHANNEL FRAME

MODEL NUMBERS

- Standard 1": F312-STD1 <Nominal Size>
- Standard 2": F312-STD2 <Nominal Size>
- Special 1/2": F312-SP.5 <Actual Size>
- Special 1": F312-SP1 <Actual Size>
- Special 2": F312-SP2 <Actual Size>

All actual sizes manufactured to nearest 1/8"

STANDARD CONSTRUCTION

1. 1" Depth - Blue Fiberglass Media, Skin Backed
- 2" Depth - Blue Fiberglass Media, Skin Backed
2. Heavy Duty Kraft Board Frame

NOTES

1. Initial Resistance
 - 1" - 0.07" W.G
 - 2" - 0.09" W.G.
2. Final Resistance
 - 1" - 0.50" W.G.
 - 2" - 1.00" W.G.
3. Rated Velocity: 300 FPM
4. Classified per UL Standard 900 for Flammability
5. Filters Class 2 Filter Per UL Standard S1116
6. Maximum Operating Temperature: 150 deg. F

Nominal Size (Inches)	Actual Size (Inches)
8 x 16 x 1	7-15/16 x 15-7/8 x 7/8
8 x 30 x 1	7-15/16 x 29-7/8 x 7/8
10 x 10 x 1	9-7/8 x 9-7/8 x 7/8
10 x 16 x 1	9-7/8 x 15-7/8 x 7/8
10 x 20 x 1	9-7/8 x 19-5/8 x 7/8
10 x 24 x 1	9-7/8 x 23-3/4 x 7/8
10 x 25 x 1	9-7/8 x 24-5/8 x 7/8
10 x 30 x 1	9-7/8 x 29-7/8 x 7/8
12 x 12 x 1	11-7/8 x 11-7/8 x 7/8
12 x 16 x 1	11-7/8 x 15-7/8 x 7/8
12 x 20 x 1	11-7/8 x 19-5/8 x 7/8
12 x 24 x 1	11-7/8 x 24-3/4 x 7/8
12 x 25 x 1	11-7/8 x 24-5/8 x 7/8
12 x 30 x 1	11-7/8 x 29-7/8 x 7/8
14 x 14 x 1	13-7/8 x 13-7/8 x 7/8
14 x 16 x 1	13-7/8 x 15-7/8 x 7/8
14 x 18 x 1	13-7/8 x 17-7/8 x 7/8
14 x 20 x 1	13-7/8 x 19-5/8 x 7/8
14 x 24 x 1	13-7/8 x 23-3/4 x 7/8
14 x 25 x 1	13-7/8 x 24-5/8 x 7/8
14 x 30 x 1	13-7/8 x 29-7/8 x 7/8
15 x 20 x 1	14-7/8 x 19-5/8 x 7/8
15 x 25 x 1	14-7/8 x 24-5/8 x 7/8
15 x 30 x 1	14-7/8 x 29-7/8 x 7/8
15 x 30-5/8 x 1	14-7/8 x 30-5/8 x 7/8
16 x 16 x 1	15-7/8 x 15-7/8 x 7/8
16 x 20 x 1*	15-7/8 x 19-5/8 x 7/8
16 x 24 x 1	15-7/8 x 23-3/4 x 7/8
16 x 25 x 1*	15-7/8 x 24-5/8 x 7/8
16 x 30 x 1	15-7/8 x 29-7/8 x 7/8
18 x 20 x 1	17-7/8 x 17-7/8 x 7/8
18 x 24 x 1	17-7/8 x 23-3/4 x 7/8
18 x 25 x 1	17-7/8 x 24-5/8 x 7/8
18 x 30 x 1	17-7/8 x 29-7/8 x 7/8
20 x 20 x 1*	19-5/8 x 19-5/8 x 7/8
20 x 22-1/4 x 1	19-5/8 x 22-1/4 x 7/8
20 x 24 x 1	19-5/8 x 23-3/4 x 7/8
20 x 25 x 1*	19-5/8 x 24-5/8 x 7/8
20 x 30 x 1	19-5/8 x 29-7/8 x 7/8
22 x 22 x 1	21-15/16 x 21-15/16 x 7/8
24 x 24 x 1	23-3/4 x 23-3/4 x 7/8
24 x 30 x 1	23-3/4 x 29-7/8 x 7/8
25 x 25 x 1	24-5/8 x 24-5/8 x 7/8

Nominal Size (Inches)	Actual Size (Inches)
10 x 20 x 2	9-5/8 x 19-5/8 x 1-5/8
12 x 24 x 2	11-3/8 x 23-3/8 x 1-5/8
14 x 20 x 2	13-5/8 x 19-5/8 x 1-5/8
14 x 25 x 2	13-5/8 x 24-5/8 x 1-5/8
15 x 20 x 2	14-5/8 x 19-5/8 x 1-5/8
16 x 16 x 2	15-5/8 x 15-5/8 x 1-5/8
16 x 20 x 2*	15-5/8 x 19-5/8 x 1-5/8
16 x 25 x 2*	15-5/8 x 24-5/8 x 1-5/8
18 x 24 x 2	17-5/8 x 23-5/8 x 1-5/8
20 x 20 x 2*	19-5/8 x 19-5/8 x 1-5/8
20 x 24 x 2	19-5/8 x 23-5/8 x 1-5/8
20 x 25 x 2*	19-5/8 x 24-5/8 x 1-5/8
24 x 24 x 2	23-3/8 x 23-3/8 x 1-5/8
25 x 25 x 2	24-3/8 x 24-3/8 x 1-5/8

*For noted sizes, Pinch Frame or Channel Frame can be substituted at Factory Discretion. All other sizes are provided as Pinch Frame.

Purolator
 100 River Ridge Circle
 Jeffersonville, IN 47130
 P: 866-925-2247
 F: 866-601-1809
 www.purolatorair.com

**CONTACT FACTORY TO
 VERIFY REVISION LEVEL**

**TOLERANCES
 UNLESS OTHERWISE SPECIFIED**

- FRACTIONAL -
- DECIMAL -
- ANGLES -

ALL DIMENSIONS IN INCHES

**DRAWING NAME
 PUROLATOR F312 FIBERGLASS DISPOSABLE PANEL**

APPROVED BY <i>[Signature]</i>	SPECIFICATION NO. MKT-P-00327	PAGE 1 OF 1
SCALE NONE	DWG. SIZE A	REVISION H
		REVISION DATE 02-06-15

CONFIDENTIAL - DO NOT COPY. THIS MATERIAL IS TRADE SECRET AND PROPRIETARY BEING EXCLUSIVELY OWNED BY CLC AIR. THE EXPRESSION OF THE INFORMATION CONTAINED HEREIN IS PROTECTED UNDER FEDERAL COPYRIGHT LAWS AND ALL COPYING IS PROHIBITED AND MAY BE SUBJECT TO CRIMINAL PENALTIES.