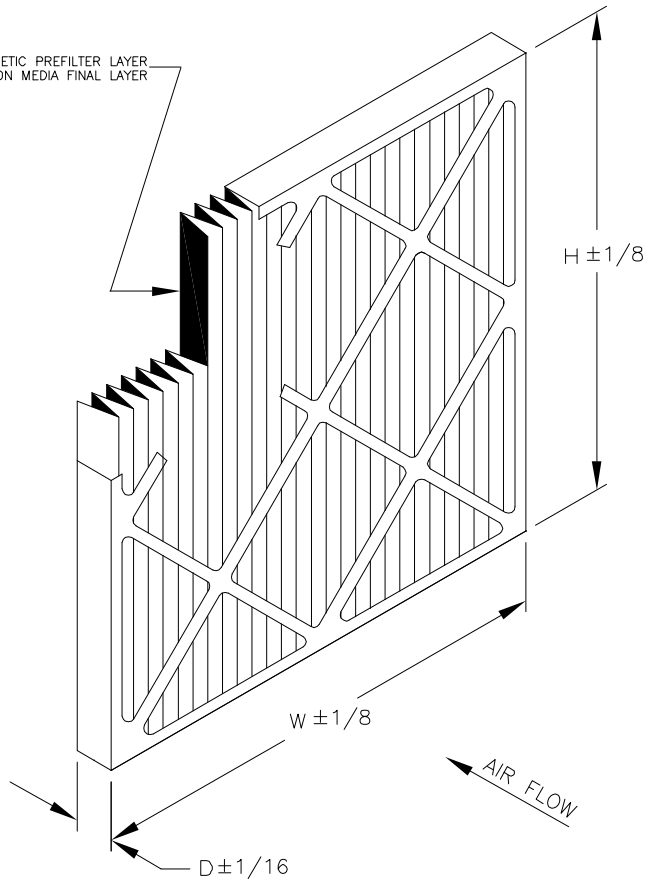


Model Number	Nominal Size (Inches) W x H x D	Actual Size (Inches) W x H x D	Rated Air Flow (CFM)	Initial Resistance (In. W.G.)	Media Area (Square Feet)	Carbon Weight
FA-STD1-110	12 x 24 x 1	11-3/8 x 23-3/8 x 3/4	600	0.45	3.5	63
FA-STD1-101	16 x 20 x 1	15-1/2 x 19-1/2 x 3/4	670	0.45	3.9	70
FA-STD1-102	16 x 25 x 1	15-1/2 x 24-1/2 x 3/4	840	0.45	4.8	87
FA-STD1-103	20 x 20 x 1	19-1/2 x 19-1/2 x 3/4	840	0.45	4.8	87
FA-STD1-104	20 x 25 x 1	19-1/2 x 24-1/2 x 3/4	1050	0.45	6.0	109
FA-STD1-105	24 x 24 x 1	23-3/8 x 23-3/8 x 3/4	1200	0.45	7.0	125
FA-STD2-210	12 x 24 x 2	11-3/8 x 23-3/8 x 1-3/4	100	0.60	6.7	120
FA-STD2-201	16 x 20 x 2	15-1/2 x 19-1/2 x 1-3/4	1120	0.60	7.1	127
FA-STD2-202	16 x 25 x 2	15-1/2 x 24-1/2 x 1-3/4	1400	0.60	89	159
FA-STD2-203	20 x 20 x 2	19-1/2 x 19-1/2 x 1-3/4	1400	0.60	91	163
FA-STD2-211	20 x 24 x 2	19-3/8 x 23-3/8 x 1-3/4	1670	0.60	10.7	197
FA-STD2-204	20 x 25 x 2	19-1/2 x 24-1/2 x 1-3/4	1750	0.60	112	205
FA-STD2-205	24 x 24 x 2	23-3/8 x 23-3/8 x 1-3/4	2000	0.60	13.3	240
FA-STD4-410	12 x 24 x 4	11-3/8 x 23-3/8 x 3-3/4	1000	0.55	12.7	228
FA-STD4-401	16 x 20 x 4	15-1/2 x 19-1/2 x 3-3/4	1120	0.55	14.8	266
FA-STD4-402	16 x 25 x 4	15-1/2 x 24-1/2 x 3-3/4	1400	0.55	18.5	333
FA-STD4-403	20 x 20 x 4	19-1/2 x 19-1/2 x 3-3/4	1400	0.55	19.0	342
FA-STD4-411	20 x 24 x 4	19-3/8 x 23-3/8 x 3-3/4	1670	0.55	22.9	410
FA-STD4-404	20 x 25 x 4	19-1/2 x 24-1/2 x 3-3/4	1750	0.55	23.8	428
FA-STD4-405	24 x 24 x 4	23-3/8 x 23-3/8 x 3-3/4	2000	0.55	27.9	502

100% SYNTHETIC PREFILTER LAYER
SELF-SUPPORTED CARBON MEDIA FINAL LAYER



STANDARD CONSTRUCTION

- White, 100% Synthetic High Loft Media
Self Supporting Activated Carbon Media
60% Activity, 200 grams / square meter
- Pleat Count:
1" - 12 Pleats/Foot
2" & 4" - 11 Pleats/Foot
- Moisture Resistant Beverage Board Frame
- Double Wall Frame
- (2) Rows of Fingers on Air Entering Side (4" Only)

NOTES

- MERV 8 ASHRAE 52.2-2007
Tested 24x24x2 Filter at 492 FPM Face Velocity
- Final Resistance: 1.2" W.G.
- Rated Velocity: 1" - 300 FPM, 2" & 4" - 500 FPM



100 River Ridge Circle
Jeffersonville, IN 47130
P: 866-925-2247
F: 502-961-0930
www.airguard.com

CONTACT FACTORY TO
REVISION LEVEL

TOLERANCES
UNLESS OTHERWISE SPECIFIED

FRACTIONAL -
DECIMAL -
ANGLES -

ALL DIMENSIONS IN INCHES

DRAWING NAME

FRESH AIR CARBON PLEAT

APPROVED BY

K. Quinn

SPECIFICATION NO.

MKT-B-00276

PAGE 1 OF 1

SCALE

NONE

DWG. SIZE

A

REVISION

G

REVISION DATE

02-21-17

CONFIDENTIAL - DO NOT COPY. THIS MATERIAL IS TRADE SECRET AND PROPRIETARY BEING EXCLUSIVELY OWNED BY CLC AIR. THE EXPRESSION OF THE INFORMATION CONTAINED HEREIN IS PROTECTED UNDER FEDERAL COPYRIGHT LAWS AND ALL COPYING IS PROHIBITED AND MAY BE SUBJECT TO CRIMINAL PENALTIES.