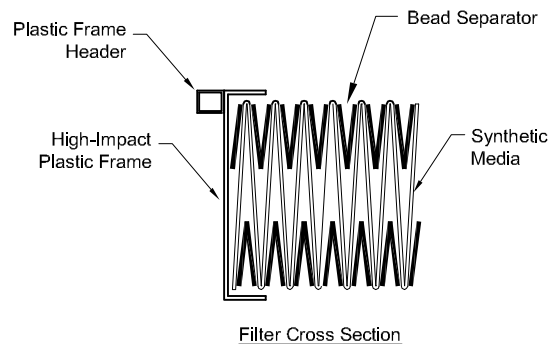
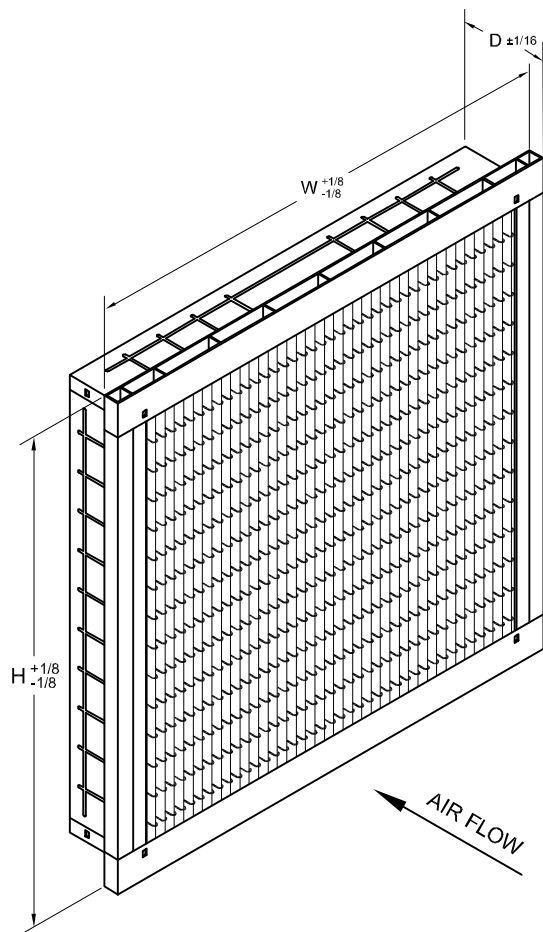


MODEL NUMBER	NOMINAL SIZE (INCH) WXHXD	ACTUAL SIZE (INCH) WXHXD	RATED AIR FLOW (CFM)	INITIAL RESISTANCE (IN. W.G.)	MEDIA AREA (SQUARE FEET)	MERV
LG4-604-PH	24X24X4	23-3/8X23-3/8X3-3/4	2000	0.29	53	11
LG4-615-PH	20X24X4	19-3/8X23-3/8X3-3/4	1650	0.29	45	11
LG4-613-PH	20X20X4	19-3/8X19-3/8X3-3/4	1400	0.29	36	11
LG4-603-PH	12X24X4	11-3/8X23-3/8X3-3/4	1000	0.29	25	11




STANDARD CONSTRUCTION

- 100% Synthetic Media
- E-Pleat Technology Pleat Pack
Embossed Media with Adhesive Bead Separators
- High-Impact Plastic Frame Panels
- Foamed Hot Melt Sealant
- 3/4" singel header air entering side
- Gasket Optional

NOTES

- Testing per ASHRAE 52.2-2012
Tested At 492 FPM on 24x24 Nominal Size
- Final Resistance: 1.5" W.G.
- Rated Velocity - 500 FPM
- Maximum Operating Temperature: 170 deg. F (76 deg. C)
- Classified per UL Standard 900 for Flammability
- Special Sizes Not Available

	100 River Ridge Circle Jeffersonville, IN 47130 P: 866-247-4827 F: 866-601-1809 www.dlcair.com/airguard	TOLERANCES UNLESS OTHERWISE SPECIFIED		DRAWING NAME LEGACY 4" SINGLE HEADER			
	CONTACT FACTORY TO VERIFY REVISION LEVEL	FRACTIONAL — DECIMAL — ANGLES —	APPROVED BY <i>K. Quinn</i>	SPECIFICATION NO. MKT-B-00585	SCALE NONE	DWG. SIZE A	REVISION E
ALL DIMENSIONS IN INCHES		<small>CONFIDENTIAL - DO NOT COPY. THIS MATERIAL IS TRADE SECRET AND PROPRIETARY BEING EXCLUSIVELY OWNED BY CLC AIR. THE EXPRESSION OF THE INFORMATION CONTAINED HEREIN IS PROTECTED UNDER FEDERAL COPYRIGHT LAWS AND ALL COPYING IS PROHIBITED AND MAY BE SUBJECT TO CRIMINAL PENALTIES.</small>					