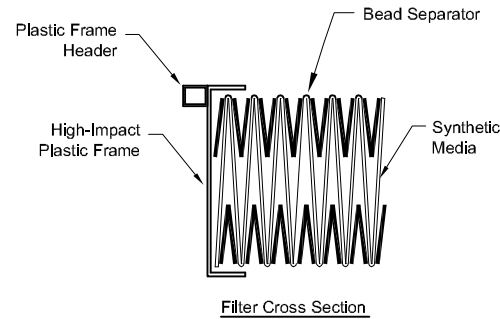
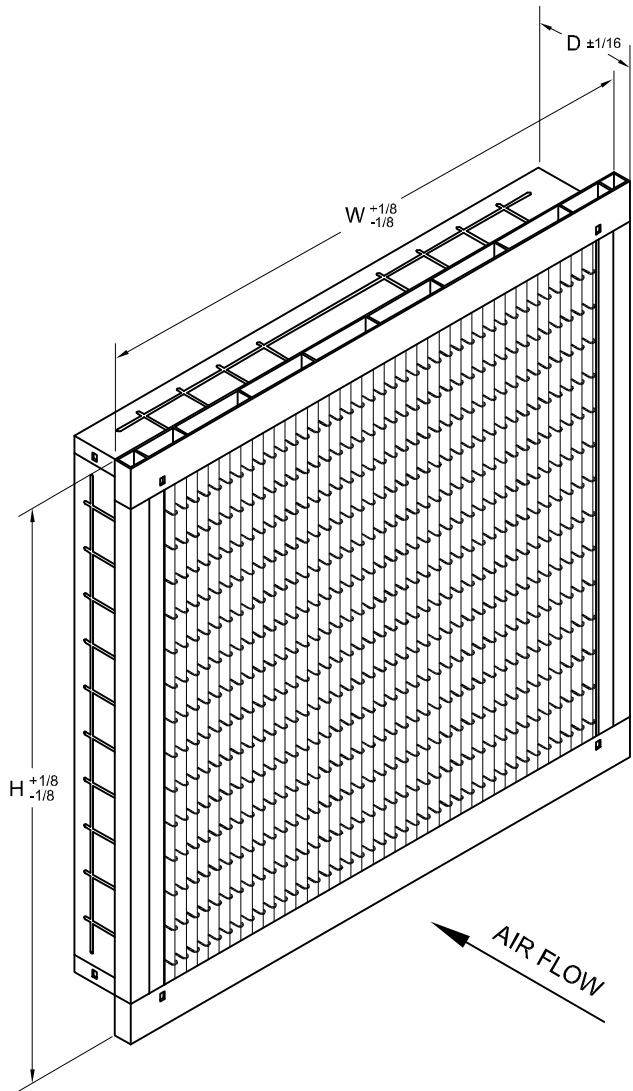


MODEL NUMBER	NOMINAL SIZE (INCHES) W X H X D	ACTUAL SIZE (INCHES) W X H X D	RATED AIR FLOW (CFM)	INITIAL RESISTANCE (IN. W.G.)	MEDIA AREA (SQUARE FEET)	MERV
LG4LT-904-PH	24 X 24 X 4	23-3/8 X 23-3/8 X 3-3/4	2000	0.53	58	14
LG4LT-915-PH	20 X 24 X 4	19-3/8 X 23-3/8 X 3-3/4	1650	0.53	49	14
LG4LT-913-PH	20 X 20 X 4	19-3/8 X 19-3/8 X 3-3/4	1400	0.53	40	14
LG4LT-903-PH	12 X 24 X 4	11-3/8 X 23-3/8 X 3-3/4	1000	0.53	33	14



STANDARD CONSTRUCTION

1. LoadTech Blue Embossed, 100% Synthetic Media
2. E-Pleat Technology Pleat Pack Embossed Media with Adhesive Bead Separators
3. High-Impact Plastic Frame Panels
4. Foamed Hot Melt Sealant
5. 3/4" single header air entering side
6. Gasket Optional

NOTES

1. Testing per ASHRAE 52.2-2012
Tested At 492 FPM on 24x24 Nominal Size
2. Final Resistance: 1.5" W.G.
3. Rated Velocity - 500 FPM
4. Maximum Operating Temperature: 170 deg. F (76 deg. C)
5. Classified per UL Standard 900 for Flammability
6. Special Sizes Not Available



100 River Ridge Circle
Jeffersonville, IN 47130
P: 866-247-4827
F: 866-601-1809
www.clcair.com/airguard

CONTACT FACTORY TO
VERIFY REVISION LEVEL

**TOLERANCES
UNLESS OTHERWISE SPECIFIED**

FRACTIONAL -
DECIMAL -
ANGLES -

ALL DIMENSIONS IN INCHES

DRAWING NAME

LEGACY LOADTECH 4" SINGLE HEADER

APPROVED BY

K. Quinn

SPECIFICATION NO.

MKT-B-00670

PAGE 1 OF 1

SCALE

NONE

DWG. SIZE

A

REVISION

B

REVISION DATE

09-24-15

CONFIDENTIAL - DO NOT COPY. THIS MATERIAL IS TRADE SECRET AND PROPRIETARY BEING EXCLUSIVELY OWNED BY CLCAIR. THE EXPRESSION OF THE INFORMATION CONTAINED HEREIN IS PROTECTED UNDER FEDERAL COPYRIGHT LAWS AND ALL COPYING IS PROHIBITED AND MAY BE SUBJECT TO CRIMINAL PENALTIES.