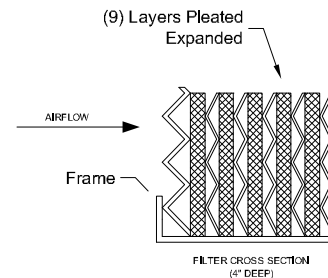
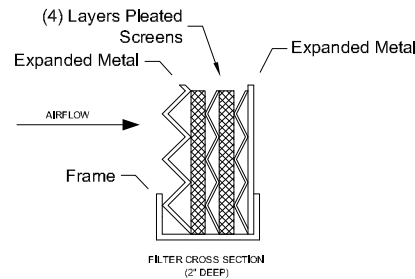
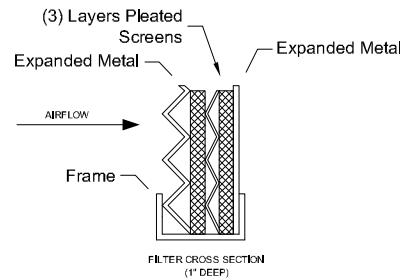
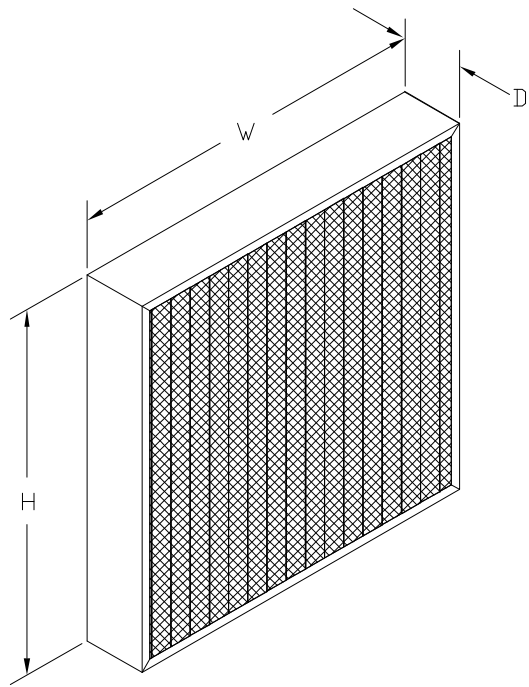


HDS SP2-SNG 11.5 x 11.5 x 2



DIMENSIONS (W X H X D)
Face dimensions to the nearest 0.125"

NUMBER OF SECTIONS
SNG - One Section
DBL - Two Sections
TRP - Three Sections

FRAME DEPTH
SP.5 - 1/2" Nominal (7/16")
SP1 - 1" Nominal (13/16" Exact)
SP2 - 2" Nominal (1-7/8" Exact)
SP4 - 4" Nominal (3-7/8" Exact)

MATERIAL

HDS - 24 GA Galvanized Steel Framel / Expanded Galvanized Steel
HSA - .032 Aluminum Frame / Expanded Aluminum
SS - 24 GA 304 Stainless Steel Frame / 0.25 x 0.25 Stainless Wire

STANDARD CONSTRUCTION

1. Materials Specified by Model Number
2. (4) Drain Holes On Corners
3. Bail Handles Available As Option
4. Tolerance Height & Width: +/- 0.125"
5. Tolerance Depth: +/- 0.0625"

NOTES

1. Rated Velocity
1" - 300 FPM
2" - 500 FPM
4" - 500 FPM
Maximum Velocity - 900 FPM
2. Recommended Final Resistance 1.0" W.G.
Average Arrestance
1" - 60-65%
2" - 65-70%
4" - 70-75%
3. Continuous Operating Temperature: 500 deg. F
4. Classified per UL Standard 900 for Flammability

CLARCOR
AIR FILTRATION PRODUCTS
a CLARCOR company

100 River Ridge Circle
Jeffersonville, IN 47130
P: 866-247-4827
F: 866-601-1809
www.clc.air.com

CONTACT FACTORY TO
VERIFY REVISION LEVEL

TOLERANCES UNLESS OTHERWISE SPECIFIED

FRACTIONAL -
DECIMAL -
ANGLES -

ALL DIMENSIONS IN INCHES

DRAWING NAME

PERMANENT METAL - SPECIAL SIZE

APPROVED BY

K. Quinn

SPECIFICATION NO.

MKT-B-00473

PAGE

1 OF 1

SCALE

NONE

DWG. SIZE

A

REVISION

D

REVISION DATE

02-27-15

CONFIDENTIAL - DO NOT COPY. THIS MATERIAL IS TRADE SECRET AND PROPRIETARY BEING EXCLUSIVELY OWNED BY CLARCOR. THE EXPRESSION OF THE INFORMATION CONTAINED HEREIN IS PROTECTED UNDER FEDERAL COPYRIGHT LAWS AND ALL COPYING IS PROHIBITED AND MAY BE SUBJECT TO CRIMINAL PENALTIES.