

Model Number	Nominal Size (Inches) W x H x D	Actual Size (Inches) W x H x D	Rated Air Flow (CFM)	MERV	Initial Resistance (In. W.G.)	Media Area (Square Feet)
VMA-904	24 x 24 x 12	23-3/8 x 23-3/8 x 11-1/2	2000	14	0.65	142
VMA-912	20 x 25 x 12	19-3/8 x 24-3/8 x 11-1/2	1750	14	0.65	124
VMA-915	20 x 24 x 12	19-3/8 x 23-3/8 x 11-1/2	1650	14	0.65	119
VMA-913	20 x 20 x 12	19-3/8 x 19-3/8 x 11-1/2	1400	14	0.65	99
VMA-911	18 x 24 x 12	17-3/8 x 23-3/8 x 11-1/2	1500	14	0.65	106
VMA-910	16 x 25 x 12	15-3/8 x 24-3/8 x 11-1/2	1400	14	0.65	97
VMA-909	16 x 20 x 12	15-3/8 x 19-3/8 x 11-1/2	1100	14	0.65	77
VMA-903	12 x 24 x 12	11-3/8 x 23-3/8 x 11-1/2	1000	14	0.65	70
VMA-804	24 x 24 x 12	23-3/8 x 23-3/8 x 11-1/2	2000	13	0.60	142
VMA-812	20 x 25 x 12	19-3/8 x 24-3/8 x 11-1/2	1750	13	0.60	124
VMA-815	20 x 24 x 12	19-3/8 x 23-3/8 x 11-1/2	1650	13	0.60	119
VMA-813	20 x 20 x 12	19-3/8 x 19-3/8 x 11-1/2	1400	13	0.60	99
VMA-811	18 x 24 x 12	17-3/8 x 23-3/8 x 11-1/2	1500	13	0.60	109
VMA-810	16 x 25 x 12	15-3/8 x 24-3/8 x 11-1/2	1400	13	0.60	97
VMA-809	16 x 20 x 12	15-3/8 x 19-3/8 x 11-1/2	1100	13	0.60	77
VMA-803	12 x 24 x 12	11-3/8 x 23-3/8 x 11-1/2	1000	13	0.60	70
VMA-604	24 x 24 x 12	23-3/8 x 23-3/8 x 11-1/2	2000	11	0.43	142
VMA-612	20 x 25 x 12	19-3/8 x 24-3/8 x 11-1/2	1750	11	0.43	124
VMA-615	20 x 24 x 12	19-3/8 x 23-3/8 x 11-1/2	1650	11	0.43	119
VMA-613	20 x 20 x 12	19-3/8 x 19-3/8 x 11-1/2	1400	11	0.43	99
VMA-611	18 x 24 x 12	17-3/8 x 23-3/8 x 11-1/2	1500	11	0.43	106
VMA-610	16 x 25 x 12	15-3/8 x 24-3/8 x 11-1/2	1400	11	0.43	97
VMA-609	16 x 20 x 12	15-3/8 x 19-3/8 x 11-1/2	1100	11	0.43	77
VMB-603	12 x 24 x 12	11-3/8 x 23-3/8 x 11-1/2	1000	11	0.43	70

**STANDARD CONSTRUCTION**

1. High Efficiency, Microglass Paper Media
2. Corrugated Aluminum Separators With Rolled Edges
3. High Loft Microglass Wrap Around Media Pack
4. 24 Gauge Galvanized Steel Cell Sides
5. Expanded Metal Grid on Air Leaving Side
6. (4) Retainer Holes for Spring Latches

**NOTES**

1. MERV per ASHRAE 52.2-2012  
24x24x12 size tested at 492 FPM face velocity
2. Final Resistance: 1.5" W.G.
3. Rated Velocity 12" Deep - 500 FPM
4. Classified Per U.L. Standard 900
5. Maximum Operating Temperature: 350 deg. F
6. Optional Gasket Available (Rated Temperature 180 deg. F)  
U - Upstream Gasket (Ex: VMA-904-U)  
D - Downstream Gasket  
UD- Both Sides
7. Optional 1-1/8" Header ("C" Header) Available (Ex: VMA-904-C)
8. Special Sizes Available



100 River Ridge Circle  
Jeffersonville, IN 47130  
P: 866-925-2247  
F: 502-961-0930  
www.airguard.com

**CONTACT FACTORY TO  
VERIFY REVISION LEVEL**

**TOLERANCES  
UNLESS OTHERWISE SPECIFIED**

FRACTIONAL -  
DECIMAL -  
ANGLES -

ALL DIMENSIONS IN INCHES

DRAWING NAME

**VARIFLOW VMA METAL BOX - 12"**

APPROVED BY

*K. Quinn*

SPECIFICATION NO.

**MKT-B-00135**

PAGE  
**1 OF 1**

SCALE

**NONE**

DWG. SIZE

**A**

REVISION

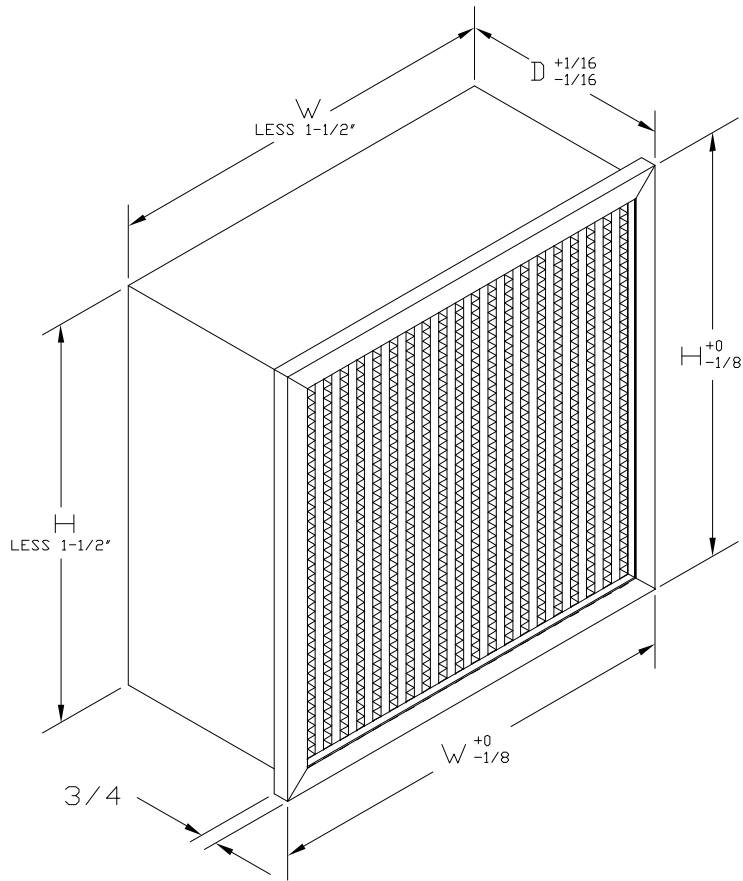
**F**

REVISION DATE

**07-10-14**

CONFIDENTIAL - DO NOT COPY. THIS MATERIAL IS TRADE SECRET AND PROPRIETARY BEING EXCLUSIVELY OWNED BY CLC AIR. THE EXPRESSION OF THE INFORMATION CONTAINED HEREIN IS PROTECTED UNDER FEDERAL COPYRIGHT LAWS AND ALL COPYING IS PROHIBITED AND MAY BE SUBJECT TO CRIMINAL PENALTIES.

Model Number	Nominal Size (Inches) W x H x D	Actual Size (Inches) W x H x D	Rated Air Flow (CFM)	MERV	Initial Resistance (In. W.G.)	Media Area (Square Feet)
VMB-904	24 x 24 x 12	23-3/8 x 23-3/8 x 11-1/2	2000	14	0.65	124
VMB-912	20 x 25 x 12	19-3/8 x 24-3/8 x 11-1/2	1750	14	0.65	106
VMB-915	20 x 24 x 12	19-3/8 x 23-3/8 x 11-1/2	1650	14	0.65	102
VMB-913	20 x 20 x 12	19-3/8 x 19-3/8 x 11-1/2	1400	14	0.65	83
VMB-911	18 x 24 x 12	17-3/8 x 23-3/8 x 11-1/2	1500	14	0.65	89
VMB-910	16 x 25 x 12	15-3/8 x 24-3/8 x 11-1/2	1400	14	0.65	81
VMB-909	16 x 20 x 12	15-3/8 x 19-3/8 x 11-1/2	1100	14	0.65	63
VMB-903	12 x 24 x 12	11-3/8 x 23-3/8 x 11-1/2	1000	14	0.65	56
VMB-804	24 x 24 x 12	23-3/8 x 23-3/8 x 11-1/2	2000	13	0.60	124
VMB-812	20 x 25 x 12	19-3/8 x 24-3/8 x 11-1/2	1750	13	0.60	106
VMB-815	20 x 24 x 12	19-3/8 x 23-3/8 x 11-1/2	1650	13	0.60	102
VMB-813	20 x 20 x 12	19-3/8 x 19-3/8 x 11-1/2	1400	13	0.60	83
VMB-811	18 x 24 x 12	17-3/8 x 23-3/8 x 11-1/2	1500	13	0.60	89
VMB-810	16 x 25 x 12	15-3/8 x 24-3/8 x 11-1/2	1400	13	0.60	81
VMB-809	16 x 20 x 12	15-3/8 x 19-3/8 x 11-1/2	1100	13	0.60	63
VMB-803	12 x 24 x 12	11-3/8 x 23-3/8 x 11-1/2	1000	13	0.60	56
VMB-604	24 x 24 x 12	23-3/8 x 23-3/8 x 11-1/2	2000	11	0.43	124
VMB-612	20 x 25 x 12	19-3/8 x 24-3/8 x 11-1/2	1750	11	0.43	106
VMB-615	20 x 24 x 12	19-3/8 x 23-3/8 x 11-1/2	1650	11	0.43	102
VMB-613	20 x 20 x 12	19-3/8 x 19-3/8 x 11-1/2	1400	11	0.43	83
VMB-611	18 x 24 x 12	17-3/8 x 23-3/8 x 11-1/2	1500	11	0.43	89
VMB-610	16 x 25 x 12	15-3/8 x 24-3/8 x 11-1/2	1400	11	0.43	81
VMB-609	16 x 20 x 12	15-3/8 x 19-3/8 x 11-1/2	1100	11	0.43	63
VMB-603	12 x 24 x 12	11-3/8 x 23-3/8 x 11-1/2	1000	11	0.43	56



**STANDARD CONSTRUCTION**

1. High Efficiency, Microglass Paper Media
2. Corrugated Aluminum Separators With Rolled Edges
3. High Loft Microglass Wrap Around Media Pack
4. 24 Gauge Galvanized Steel Cell Sides
5. Header on Air Entering Side: Single Piece U-Channel
6. Expanded Metal Grid on Air Leaving Side

**NOTES**

1. MERV per ASHRAE 52.2-2012  
24x24x12 size tested at 492 FPM face velocity
2. Final Resistance: 1.5" W.G.
3. Rated Velocity 12" Deep - 500 FPM
4. Classified Per U.L. Standard 900
5. Maximum Operating Temperature: 350 deg. F
6. Optional Gasket Available (Rated Temperature 180 deg. F)  
U - Upstream Gasket (Ex: VMB-904-U)  
D - Downstream Gasket  
UD- Both Sides
7. Optional 1-1/8" Header ("C" Header) Available (Ex: VMB-904-C)
8. Special Sizes Available



100 River Ridge Circle  
Jeffersonville, IN 47130  
P: 866-925-2247  
F: 502-961-0930  
www.airguard.com

**CONTACT FACTORY TO  
VERIFY REVISION LEVEL**

**TOLERANCES  
UNLESS OTHERWISE SPECIFIED**

FRACTIONAL -  
DECIMAL -  
ANGLES -

ALL DIMENSIONS IN INCHES

DRAWING NAME

**VARIFLOW VMB METAL SINGLE HEADER - 12"**

APPROVED BY

*K. Quinn*

SPECIFICATION NO.

**MKT-B-00134**

PAGE 1 OF 1

SCALE

**NONE**

DWG. SIZE

**A**

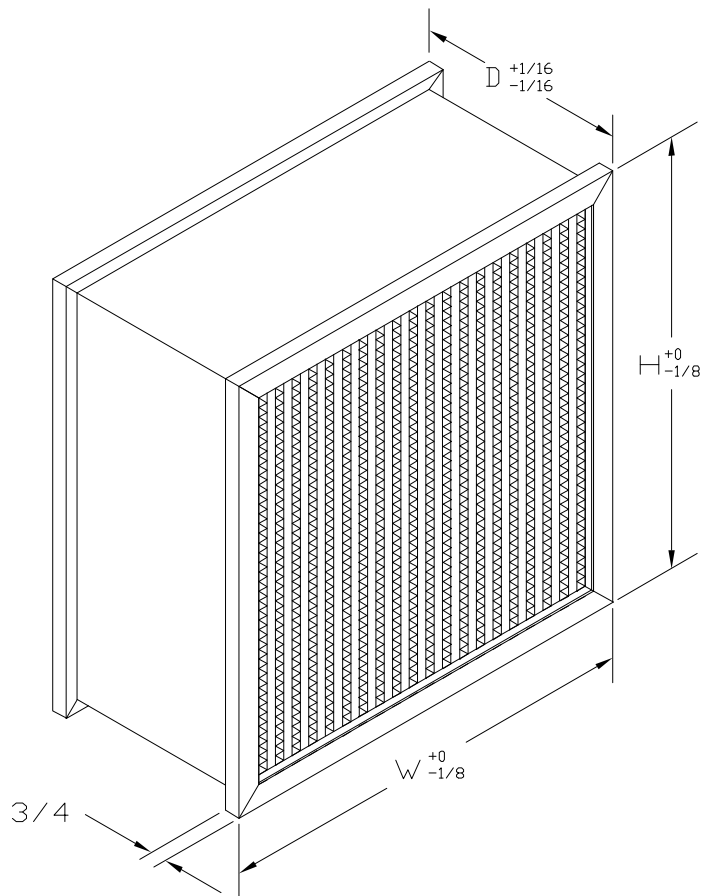
REVISION

**E**

REVISION DATE

**06-14-13**

CONFIDENTIAL - DO NOT COPY. THIS MATERIAL IS TRADE SECRET AND PROPRIETARY BEING EXCLUSIVELY OWNED BY CLC AIR. THE EXPRESSION OF THE INFORMATION CONTAINED HEREIN IS PROTECTED UNDER FEDERAL COPYRIGHT LAWS AND ALL COPYING IS PROHIBITED AND MAY BE SUBJECT TO CRIMINAL PENALTIES.



Model Number	Nominal Size (Inches) W x H x D	Actual Size (Inches) W x H x D	Rated Air Flow (CFM)	MERV	Initial Resistance (In. W.G.)	Media Area (Square Feet)
VMC-904	24 x 24 x 12	23-3/8 x 23-3/8 x 11-1/2	2000	14	0.65	124
VMC-912	20 x 25 x 12	19-3/8 x 24-3/8 x 11-1/2	1750	14	0.65	106
VMC-915	20 x 24 x 12	19-3/8 x 23-3/8 x 11-1/2	1650	14	0.65	102
VMC-913	20 x 20 x 12	19-3/8 x 19-3/8 x 11-1/2	1400	14	0.65	83
VMC-911	18 x 24 x 12	17-3/8 x 23-3/8 x 11-1/2	1500	14	0.65	89
VMC-910	16 x 25 x 12	15-3/8 x 24-3/8 x 11-1/2	1400	14	0.65	81
VMC-909	16 x 20 x 12	15-3/8 x 19-3/8 x 11-1/2	1100	14	0.65	63
VMC-903	12 x 24 x 12	11-3/8 x 23-3/8 x 11-1/2	1000	14	0.65	56
VMC-804	24 x 24 x 12	23-3/8 x 23-3/8 x 11-1/2	2000	13	0.60	124
VMC-812	20 x 25 x 12	19-3/8 x 24-3/8 x 11-1/2	1750	13	0.60	106
VMC-815	20 x 24 x 12	19-3/8 x 23-3/8 x 11-1/2	1650	13	0.60	102
VMC-813	20 x 20 x 12	19-3/8 x 19-3/8 x 11-1/2	1400	13	0.60	83
VMC-811	18 x 24 x 12	17-3/8 x 23-3/8 x 11-1/2	1500	13	0.60	89
VMC-810	16 x 25 x 12	15-3/8 x 24-3/8 x 11-1/2	1400	13	0.60	81
VMC-809	16 x 20 x 12	15-3/8 x 19-3/8 x 11-1/2	1100	13	0.60	63
VMC-803	12 x 24 x 12	11-3/8 x 23-3/8 x 11-1/2	1000	13	0.60	56
VMC-604	24 x 24 x 12	23-3/8 x 23-3/8 x 11-1/2	2000	11	0.43	124
VMC-612	20 x 25 x 12	19-3/8 x 24-3/8 x 11-1/2	1750	11	0.43	106
VMC-615	20 x 24 x 12	19-3/8 x 23-3/8 x 11-1/2	1650	11	0.43	102
VMC-613	20 x 20 x 12	19-3/8 x 19-3/8 x 11-1/2	1400	11	0.43	83
VMC-611	18 x 24 x 12	17-3/8 x 23-3/8 x 11-1/2	1500	11	0.43	89
VMC-610	16 x 25 x 12	15-3/8 x 24-3/8 x 11-1/2	1400	11	0.43	81
VMC-609	16 x 20 x 12	15-3/8 x 19-3/8 x 11-1/2	1100	11	0.43	63
VMC-603	12 x 24 x 12	11-3/8 x 23-3/8 x 11-1/2	1000	11	0.43	56

**STANDARD CONSTRUCTION**

1. High Efficiency, Microglass Paper Media
2. Corrugated Aluminum Separators With Rolled Edges
3. High Loft Microglass Wrap Around Media Pack
4. 24 Gauge Galvanized Steel Cell Sides
5. Header on Both Sides: Single Piece U-Channel
6. Expanded Metal Grid on Air Leaving Side

**NOTES**

1. MERV per ASHRAE 52.2-2012
2. Final Resistance: 1.5" W.G.
3. Rated Velocity 12" Deep - 500 FPM
4. Classified Per U.L. Standard 900
5. Maximum Operating Temperature: 350 deg. F
6. Optional Gasket Available (Rated Temperature 180 deg. F)
  - U - Upstream Gasket (Ex: VMC-904-U)
  - D - Downstream Gasket
  - UD- Both Sides
7. Special Sizes Available



100 River Ridge Circle  
Jeffersonville, IN 47130  
P: 866-925-2247  
F: 502-961-0930  
www.airguard.com

**CONTACT FACTORY TO  
VERIFY REVISION LEVEL**

**TOLERANCES  
UNLESS OTHERWISE SPECIFIED**

FRACTIONAL -  
DECIMAL -  
ANGLES -

ALL DIMENSIONS IN INCHES

DRAWING NAME

**VARIFLOW VMC META DOUBLE HEADER - 12"**

APPROVED BY

*K. Quinn*

SPECIFICATION NO.

**MKT-B-00137**

PAGE 1 OF 1

SCALE

**NONE**

DWG. SIZE

**A**

REVISION

**D**

REVISION DATE

**06-14-13**

CONFIDENTIAL - DO NOT COPY. THIS MATERIAL IS TRADE SECRET AND PROPRIETARY BEING EXCLUSIVELY OWNED BY CLC AIR. THE EXPRESSION OF THE INFORMATION CONTAINED HEREIN IS PROTECTED UNDER FEDERAL COPYRIGHT LAWS AND ALL COPYING IS PROHIBITED AND MAY BE SUBJECT TO CRIMINAL PENALTIES.