

Model Number *	Nominal Size (Inches) W x H x D	Actual Size (Inches) W x H x D	Rated Air Flow (CFM)	Initial Resistance (IN W.G.)			Media Area (Square Feet)
				90-95%	80-85%	60-65%	
VFA_04	24 x 24 x 12	23-3/8 x 23-3/8 x 11-1/2	2000	.65	.55	.40	142
VFA_12	20 x 25 x 12	19-3/8 x 24-3/8 x 11-1/2	1750	.65	.55	.40	124
VFA_15	20 x 24 x 12	19-3/8 x 23-3/8 x 11-1/2	1650	.65	.55	.40	119
VFA_13	20 x 20 x 12	19-3/8 x 19-3/8 x 11-1/2	1400	.65	.55	.40	99
VFA_11	18 x 24 x 12	17-3/8 x 23-3/8 x 11-1/2	1500	.65	.55	.40	106
VFA_10	16 x 25 x 12	15-3/8 x 24-3/8 x 11-1/2	1400	.65	.55	.40	97
VFA_09	16 x 20 x 12	15-3/8 x 19-3/8 x 11-1/2	1100	.65	.55	.40	77
VFA_03	12 x 24 x 12	11-3/8 x 23-3/8 x 11-1/2	1000	.65	.55	.40	70
VFA_02	24 x 24 x 6	23-3/8 x 23-3/8 x 5-7/8	1000	.38	.35	.20	64
VFA_08	20 x 25 x 6	19-3/8 x 24-3/8 x 5-7/8	875	.38	.35	.20	56
VFA_16	20 x 24 x 6	19-3/8 x 23-3/8 x 5-7/8	825	.38	.35	.20	54
VFA_14	20 x 20 x 6	19-3/8 x 19-3/8 x 5-7/8	700	.38	.35	.20	45
VFA_07	18 x 24 x 6	17-3/8 x 23-3/8 x 5-7/8	750	.38	.35	.20	48
VFA_06	16 x 25 x 6	15-3/8 x 24-3/8 x 5-7/8	700	.38	.35	.20	44
VFA_05	16 x 20 x 6	15-3/8 x 19-3/8 x 5-7/8	550	.38	.35	.20	35
VFA_01	12 x 24 x 6	11-3/8 x 23-3/8 x 5-7/8	500	.38	.35	.20	31


\* - Insert Filter Efficiency Code (9 = 90-95%, 8 = 80-85%, 6 = 60-65%). Example VFA-904 is 90-95%, 24x24x12 Nominal Size

**STANDARD CONSTRUCTION**

1. High Efficiency, Microglass Paper Media
2. Corrugated Aluminum Separators With Rolled Edges
3. Microglass Paper Wrap Around media Pack  
Latex Adhesive Sealant
4. 1/2" Particle Board Cell Sides

**NOTES**

1. Average Efficiency, MERV (52.2)  
90-95% ASHRAE 52.1-1992, MERV 14 ASHRAE 52.2-1999  
80-85% ASHRAE 52.1-1992, MERV 13 ASHRAE 52.2-1999  
60-65% ASHRAE 52.1-1992, MERV 11 ASHRAE 52.2-1999
2. Final Resistance: 1.5" W.G.
3. Rated Velocity 12" Deep - 500 FPM
4. Rated Velocity 6" Deep - 250 FPM
5. Class 2 Filter Per U.L. Standard 900
6. Maximum Operating Temperature: 200 deg. F
7. Optional Gasket Available  
U - Upstream Gasket (Ex: VFA-904-U)  
D - Downstream Gasket  
UD- Both Sides
8. Reverse Pleat Orientation Available  
Add "-R" to Model Number (Ex: VFA-904-R)
9. Special Sizes Available

 ONE SOURCE FOR AIR FILTRATION PRODUCTS	P.O. Box 32578 Louisville, KY 40232 Ph 502-969-2304 F 502-961-0930	<b>TOLERANCES</b>		DRAWING NAME			
		UNLESS OTHERWISE SPECIFIED		<b>VARIFLOW VFA (WOOD BOX STYLE)</b>			
<b>CONTACT FACTORY TO VERIFY REVISION LEVEL</b>		FRACTIONAL	-	APPROVED BY	SPECIFICATION NO.	PAGE	
		DECIMAL	-	<i>K. O.</i>	MKT-B-00138	1 OF 1	
		ANGLES	-	SCALE	NONE	DWG. SIZE	REVISION
		ALL DIMENSIONS IN INCHES		A	B	07-02-04	
<small>CONFIDENTIAL - DO NOT COPY. THIS MATERIAL IS TRADE SECRET AND PROPRIETARY BEING EXCLUSIVELY OWNED BY AIRGUARD. THE EXPRESSION OF THE INFORMATION CONTAINED HEREIN IS PROTECTED UNDER FEDERAL COPYRIGHT LAWS AND ALL COPYING IS PROHIBITED AND MAY BE SUBJECT TO CRIMINAL PENALTIES.</small>							

Model Number *	Nominal Size (Inches) W x H x D	Actual Size (Inches) W x H x D	Rated Air Flow (CFM)	Initial Resistance (IN W.G.)			Media Area (Square Feet)
				90-95%	80-85%	60-65%	
VFB_04	24 x 24 x 12	23-3/8 x 23-3/8 x 11-1/2	2000	.65	.55	.40	124
VFB_12	20 x 25 x 12	19-3/8 x 24-3/8 x 11-1/2	1750	.65	.55	.40	106
VFB_15	20 x 24 x 12	19-3/8 x 23-3/8 x 11-1/2	1650	.65	.55	.40	102
VFB_13	20 x 20 x 12	19-3/8 x 19-3/8 x 11-1/2	1400	.65	.55	.40	83
VFB_11	18 x 24 x 12	17-3/8 x 23-3/8 x 11-1/2	1500	.65	.55	.40	89
VFB_10	16 x 25 x 12	15-3/8 x 24-3/8 x 11-1/2	1400	.65	.55	.40	81
VFB_09	16 x 20 x 12	15-3/8 x 19-3/8 x 11-1/2	1100	.65	.55	.40	63
VFB_03	12 x 24 x 12	11-3/8 x 23-3/8 x 11-1/2	1000	.65	.55	.40	56
VFB_02	24 x 24 x 6	23-3/8 x 23-3/8 x 5-7/8	1000	.38	.35	.20	56
VFB_08	20 x 25 x 6	19-3/8 x 24-3/8 x 5-7/8	875	.38	.35	.20	48
VFB_16	20 x 24 x 6	19-3/8 x 23-3/8 x 5-7/8	825	.38	.35	.20	46
VFB_14	20 x 20 x 6	19-3/8 x 19-3/8 x 5-7/8	700	.38	.35	.20	37
VFB_07	18 x 24 x 6	17-3/8 x 23-3/8 x 5-7/8	750	.38	.35	.20	40
VFB_06	16 x 25 x 6	15-3/8 x 24-3/8 x 5-7/8	700	.38	.35	.20	37
VFB_05	16 x 20 x 6	15-3/8 x 19-3/8 x 5-7/8	550	.38	.35	.20	28
VFB_01	12 x 24 x 6	11-3/8 x 23-3/8 x 5-7/8	500	.38	.35	.20	25

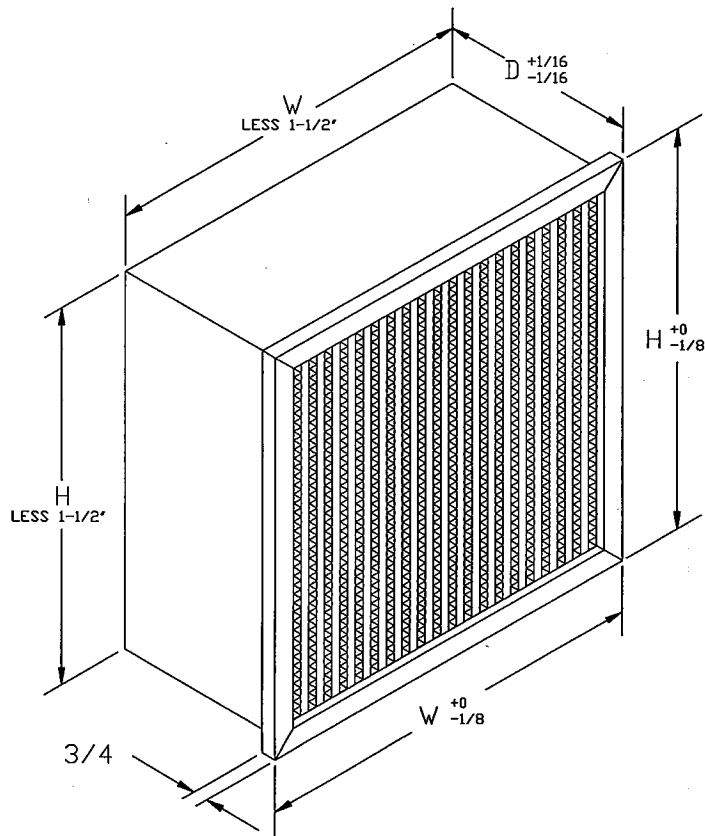
\* - Insert Filter Efficiency Code (9 = 90-95%, 8 = 80-85%, 6 = 60-65%). Example VFB-904 is 90-95%, 24x24x12 Nominal Size

**STANDARD CONSTRUCTION**

1. High Efficiency, Microglass Paper Media
2. Corrugated Aluminum Separators With Rolled Edges
3. Microglass Paper Wrap Around Media Pack  
Latex Adhesive Sealant
4. 1/2" Particle Board Cell Sides
5. Metal Header on Air Entering Side  
Single Piece U-Channel

**NOTES**

1. Average Efficiency, MERV (52.2)  
90-95% ASHRAE 52.1-1992, MERV 14 ASHRAE 52.2-1999  
80-85% ASHRAE 52.1-1992, MERV 13 ASHRAE 52.2-1999  
60-65% ASHRAE 52.1-1992, MERV 11 ASHRAE 52.2-1999
2. Final Resistance: 1.5" W.G.
3. Rated Velocity 12" Deep - 500 FPM
4. Rated Velocity 6" Deep - 250 FPM
5. Class 1 Filter Per U.L. Standard 900
6. Maximum Operating Temperature: 350 deg. F
7. Optional Gasket Available  
U - Upstream Gasket (Ex: VFB-904-U)  
D - Downstream Gasket  
UD- Both Sides
8. Reverse Pleat Orientation Available  
Add "-R" to Model Number (Ex: VFB-904-R)
9. Optional 1-1/8" Header ("C" Header) Available  
Add "-C" Onto The Model Number (Ex: VFB-904-C)
10. Special Sizes Available



ONE SOURCE  
FOR  
AIR FILTRATION  
PRODUCTS

P.O. Box 32578  
Louisville, KY 40232  
P: 502-969-2304  
F: 502-961-0930

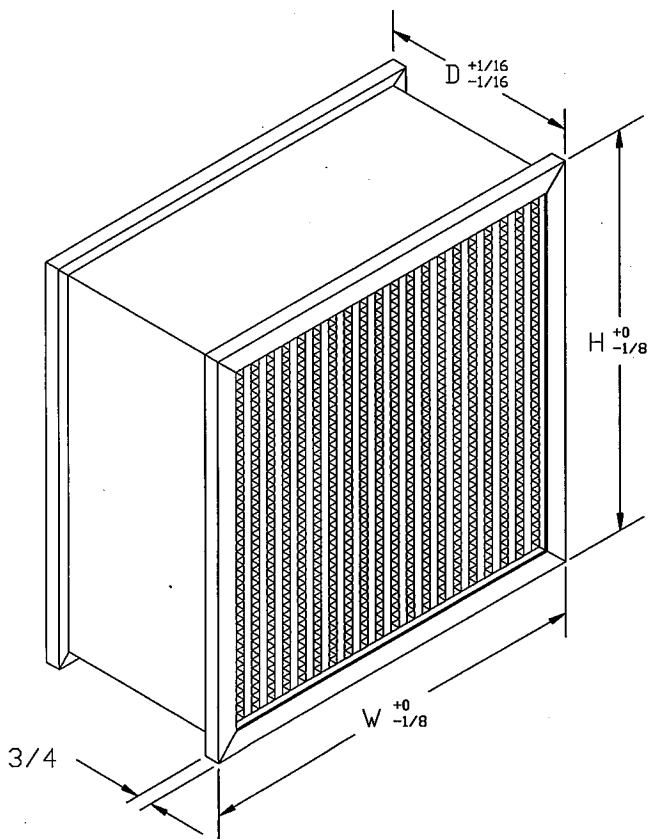
CONTACT FACTORY TO  
VERIFY REVISION LEVEL

**TOLERANCES**  
UNLESS OTHERWISE SPECIFIED

- FRACTIONAL -
- DECIMAL -
- ANGLES -

ALL DIMENSIONS IN INCHES

DRAWING NAME <b>VARIFLOW VFB (WOOD SINGLE HEADER)</b>			
APPROVED BY <i>KC</i>	SPECIFICATION NO. MKT-B-00139	PAGE 1 OF 1	
SCALE NONE	DWG. SIZE A	REVISION C	REVISION DATE 03-03-06
CONFIDENTIAL - DO NOT COPY. THIS MATERIAL IS TRADE SECRET AND PROPRIETARY BEING EXCLUSIVELY OWNED BY AIRGUARD. THE EXPRESSION OF THE INFORMATION CONTAINED HEREIN IS PROTECTED UNDER FEDERAL COPYRIGHT LAWS AND ALL COPYING IS PROHIBITED AND MAY BE SUBJECT TO CRIMINAL PENALTIES.			



Model Number *	Nominal Size (Inches) W x H x D	Actual Size (Inches) W x H x D	Rated Air Flow (CFM)	Initial Resistance (IN W.G.)			Media Area (Square Feet)
				90-95%	80-85%	60-65%	
VFC_04	24 x 24 x 12	23-3/8 x 23-3/8 x 11-1/2	2000	.65	.55	.40	124
VFC_12	20 x 25 x 12	19-3/8 x 24-3/8 x 11-1/2	1750	.65	.55	.40	106
VFC_15	20 x 24 x 12	19-3/8 x 23-3/8 x 11-1/2	1650	.65	.55	.40	102
VFC_13	20 x 20 x 12	19-3/8 x 19-3/8 x 11-1/2	1400	.65	.55	.40	83
VFC_11	18 x 24 x 12	17-3/8 x 23-3/8 x 11-1/2	1500	.65	.55	.40	89
VFC_10	16 x 25 x 12	15-3/8 x 24-3/8 x 11-1/2	1400	.65	.55	.40	81
VFC_09	16 x 20 x 12	15-3/8 x 19-3/8 x 11-1/2	1100	.65	.55	.40	63
VFC_03	12 x 24 x 12	11-3/8 x 23-3/8 x 11-1/2	1000	.65	.55	.40	56
VFC_02	24 x 24 x 6	23-3/8 x 23-3/8 x 5-7/8	1000	.38	.35	.20	56
VFC_08	20 x 25 x 6	19-3/8 x 24-3/8 x 5-7/8	875	.38	.35	.20	48
VFC_16	20 x 24 x 6	19-3/8 x 23-3/8 x 5-7/8	825	.38	.35	.20	46
VFC_14	20 x 20 x 6	19-3/8 x 19-3/8 x 5-7/8	700	.38	.35	.20	37
VFC_07	18 x 24 x 6	17-3/8 x 23-3/8 x 5-7/8	750	.38	.35	.20	40
VFC_06	16 x 25 x 6	15-3/8 x 24-3/8 x 5-7/8	700	.38	.35	.20	37
VFC_05	16 x 20 x 6	15-3/8 x 19-3/8 x 5-7/8	550	.38	.35	.20	28
VFC_01	12 x 24 x 6	11-3/8 x 23-3/8 x 5-7/8	500	.38	.35	.20	25

\* - Insert Filter Efficiency Code (9 = 90-95%, 8 = 80-85%, 6 = 60-65%). Example VFC-904 is 90-95%, 24x24x12 Nominal Size

**STANDARD CONSTRUCTION**

1. High Efficiency, Microglass Paper Media
2. Corrugated Aluminum Separators With Rolled Edges
3. Microglass Paper Wrap Around Media Pack  
Latex Adhesive Sealant
4. 1/2" Particle Board Cell Sides
5. Header on Both Side: Single Piece U-Channel

**NOTES**

1. Average Efficiency, MERV (52.2)  
90-95% ASHRAE 52.1-1992, MERV 14 ASHRAE 52.2-1999  
80-85% ASHRAE 52.1-1992, MERV 13 ASHRAE 52.2-1999  
60-65% ASHRAE 52.1-1992, MERV 11 ASHRAE 52.2-1999
2. Final Resistance: 1.5" W.G.
3. Rated Velocity 12" Deep - 500 FPM
4. Rated Velocity 6" Deep - 250 FPM
5. Class 2 Filter Per U.L. Standard 900
6. Maximum Operating Temperature: 200 deg. F
7. Optional Gasket Available  
U - Upstream Gasket (Ex: VFC-904-U)  
D - Downstream Gasket  
UD - Both Sides
8. Reverse Pleat Orientation Available  
Add "-R" to Model Number (Ex: VFC-904-R)
9. Special Sizes Available

**AIRGUARD** ONE SOURCE FOR AIR FILTRATION PRODUCTS  
 P.O. Box 32578  
 Louisville, KY 40232  
 P: 502-969-2304  
 F: 502-961-0930

CONTACT FACTORY TO VERIFY REVISION LEVEL

**TOLERANCES**  
UNLESS OTHERWISE SPECIFIED

- FRACTIONAL
- DECIMAL
- ANGLES

ALL DIMENSIONS IN INCHES

DRAWING NAME: **VARIFLOW VFC (WOOD DOUBLE HEADER)**

APPROVED BY: *[Signature]* SPECIFICATION NO. MKT-B-00140 PAGE 1 OF 1

SCALE: NONE DWG. SIZE: A REVISION: C REVISION DATE: 03-03-06

CONFIDENTIAL - DO NOT COPY. THIS MATERIAL IS TRADE SECRET AND PROPRIETARY BEING EXCLUSIVELY OWNED BY AIRGUARD. THE EXPRESSION OF THE INFORMATION CONTAINED HEREIN IS PROTECTED UNDER FEDERAL COPYRIGHT LAWS AND ALL COPYING IS PROHIBITED AND MAY BE SUBJECT TO CRIMINAL PENALTIES.