

# V P

## VENTI-PAK

EFFENCY
9 = MERV 14
8 = MERV 13
6 = MERV 11
5 = MERV 10
4 = MERV 9

SIZE CODE  
(SEE TABLE)

# OF POCKETS  
(SEE TABLE)

FILTER DEPTH

Venti-Pak Standard Header Size Chart				
Size Code	Nominal Size (H x W)	Catalog Size	Actual Size (H X W)	# of Pockets
A	24 X 24	Yes	23-3/8 X 23-3/8	6 - 12
B	24 X 12	Yes	23-3/8 X 11-3/8	3 - 5
C	12 X 24	Yes	11-3/8 X 23-3/8	5 - 12
D	24 X 20	Yes	23-3/8 X 19-3/8	5 - 9
E	20 X 24	No	19-3/8 X 23-3/8	5 - 12
F	20 X 20	Yes	19-3/8 X 19-3/8	4 - 9
G	20 X 16	No	19-3/8 X 15-3/8	3 - 7
H	16 X 20	No	15-3/8 X 19-3/8	4 - 9
J	25 X 16	No	24-3/8 X 15-3/8	6 - 7
K	16 X 25	No	15-3/8 X 24-3/8	5 - 12
L	25 X 20	No	24-3/8 X 19-3/8	7 - 9
M	20 X 25	No	19-3/8 X 24-3/8	5 - 12

### FACTORY OPTIONS

OPTIONAL FEATURES WILL BE INDICATED BY SUFFIXES FOLLOWING THE BASIC MODEL NUMBER:

BLANK = NO OPTIONS

### HEADER OPTIONS

- C - 1 1/8" HEADER
- E - 1" HEADER

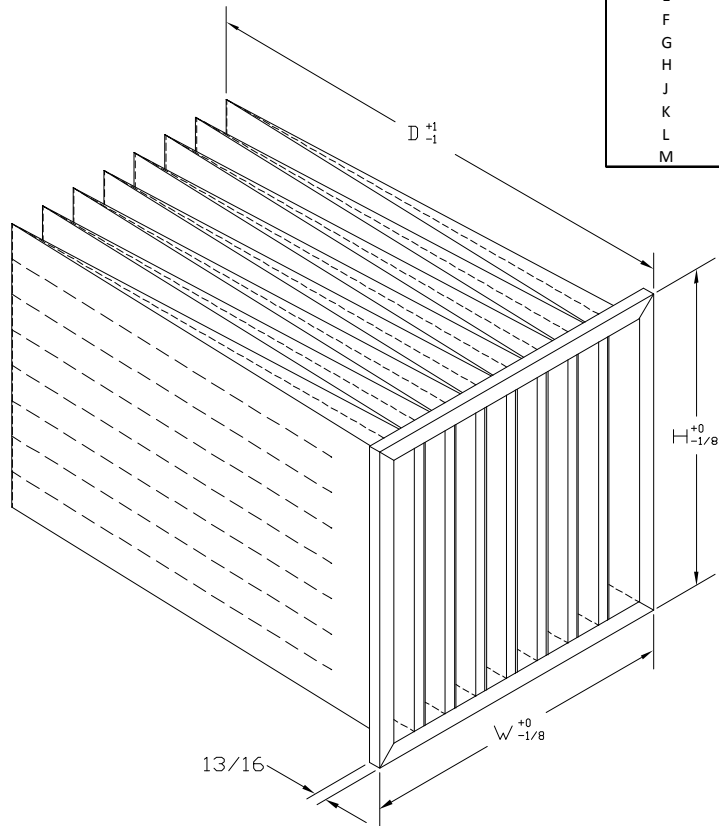
### GASKET LOCATION (1/4" X 1/2" FOAM GASKET):

- D - DOWNSTREAM / AIR LEAVING SIDE
- U - UPSTREAM / AIR ENTERING SIDE
- UD - BOTH SIDES
- SA - SIDE ACCESS / ONE VERTICAL SIDE
- P - PERIMETER OF HEADER

### EXTENDER RODS - DX

### LOOPS:

- L - LOOP ON TOP OF EACH POCKET
- LTB - LOOP ON TOP AND BOTTOM OF EACH POCKET



### STANDARD CONSTRUCTION

1. High Efficiency, Microglass Media
2. Sewn Pocket Construction, Double Lock Stitching
3. Span Stich Pocket Separators
4. Galvanized Steel Header
5. Galvanized Steel Pocket Retainers

### NOTES

1. Performance per ASHRAE 52.2-2012  
Tested at 492 FPM on 24x24x30 8 Pocket Filters
2. Initial Resistance  
 MERV 14 VP9-A-8-30: 0.55" W.G. @ 1968 CFM  
 MERV 13 VP8-A-8-30: 0.48" W.G. @ 1968 CFM  
 MERV 11 VP6-A-8-30: 0.31" W.G. @ 1968 CFM  
 MERV 10 VP5-A-8-30: 0.28" W.G. @ 1968 CFM  
 MERV 9 VP4-A-6-22: 0.32" W.G. @ 1968 CFM
3. Recommended Final Resistance: 1.5" W.G.
4. Rated Velocity: 500 FPM
5. Classified Per U.L. Standard 900 for Flammability
6. Maximum Operating Temperature: 190 deg. F (88 deg C)



100 River Ridge Circle  
Jeffersonville, IN 47130  
P: 866-247-4827  
F: 866-601-1809  
www.airguard.com

CONTACT FACTORY TO  
VERIFY REVISION LEVEL

### TOLERANCES UNLESS OTHERWISE SPECIFIED

FRACTIONAL -  
DECIMAL -  
ANGLES -

ALL DIMENSIONS IN INCHES

DRAWING NAME

VENTI-PAK

APPROVED BY

*K. Quinn*

SPECIFICATION NO.

MKT-B-0313

PAGE 1 OF 1

SCALE

NONE

DWG. SIZE

A

REVISION

H

REVISION DATE

08-30-16

CONFIDENTIAL - DO NOT COPY. THIS MATERIAL IS TRADE SECRET AND PROPRIETARY BEING EXCLUSIVELY OWNED BY CLC AIR. THE EXPRESSION OF THE INFORMATION CONTAINED HEREIN IS PROTECTED UNDER FEDERAL COPYRIGHT LAWS AND ALL COPYING IS PROHIBITED AND MAY BE SUBJECT TO CRIMINAL PENALTIES.